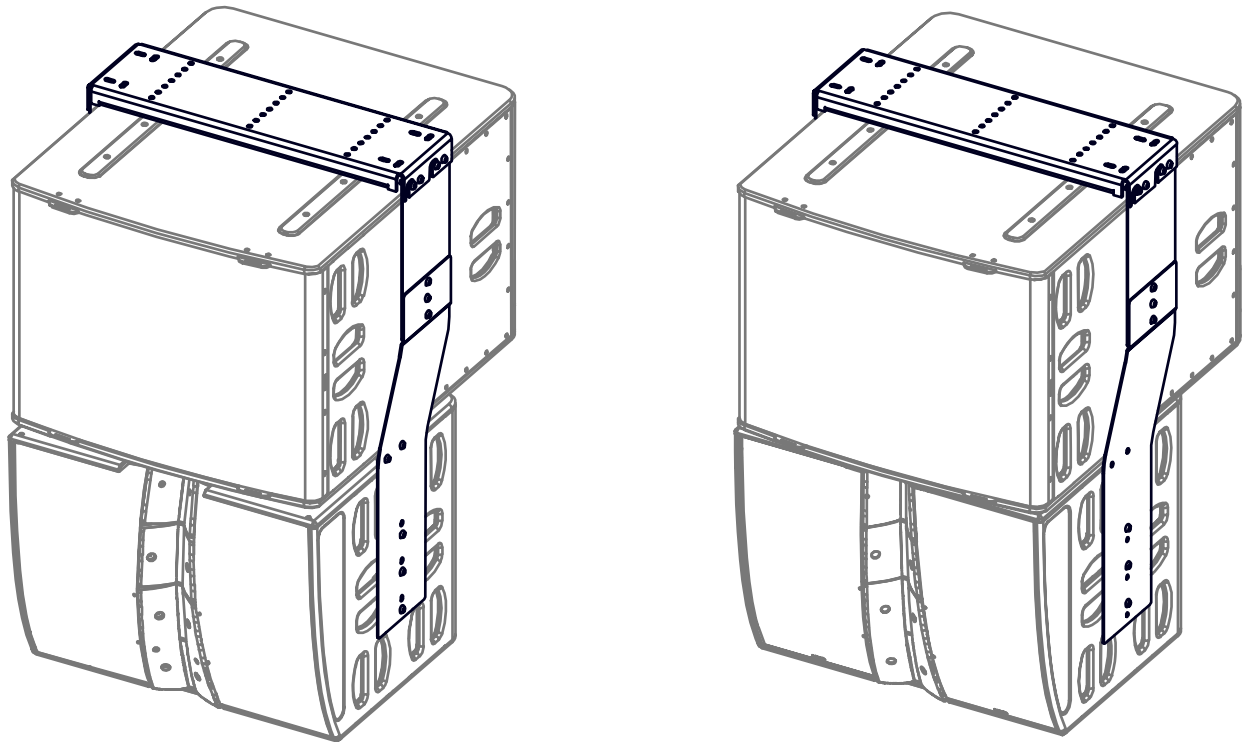
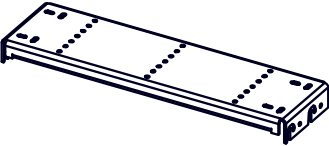

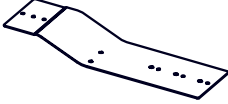
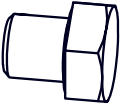
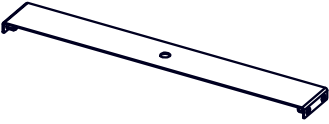





## Rigging System M210 under 1x B218



**Contents:**

<p><b>x1</b> Ceiling Plate</p> 	<p><b>x2</b> Main Plate</p> 	<p><b>x1</b> Left Plate</p> 	<p><b>x1</b> M20x20 (a)</p> 
<p><b>X1</b> H Plate</p> 		<p><b>x1</b> Right Plate</p> 	<p><b>x12</b> M10x18 (a)</p> 
		<p><b>x12</b> M10x30 (a)</p> 	

(a): The type of the screws may differ from the representation.

**Weight: 22 kg / 48 lb**

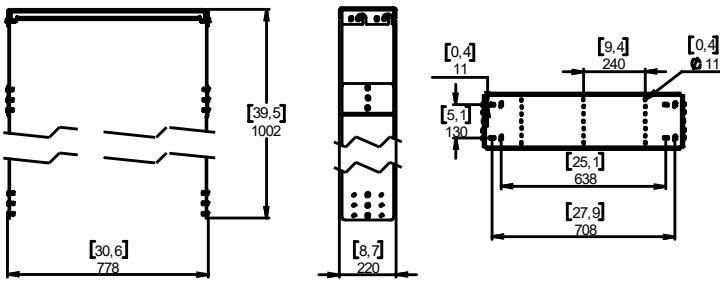


nexo-sa.com  
ZA du Pre de la Dame Jeanne  
60128 PLAILLY - France

- Read this document before using.
- Keep this document.
- Observe all warnings and cautions.



Size



For fixation, you have the choice between M8 and M10

**WARNINGS**

Ensure that the mounting location and fasteners can support at least 4 times the weight of all the installed cabinets, auxiliary equipment and cables.

Use only the provided screws (thread lock coated) and accessories.

For free-hanging installation, fixing at one point in the center is permissible.

For rigid installation with tilt angle, fixation at two outer hanging points necessary.

Implementation of B118 – M210 with HF block in “Wide” position

<p>Place B118 on the back. Assemble H plate by screwing M20x20 screw, do not tighten completely.</p>	<p>Prepare the Main plates by screwing the M10x30 screws on the holes (see picture below), do not tighten completely and leave at least 6mm. Assemble the Plates on each side of B218 using the M10x18 screws. Use M10x30 for H Plate. Tighten M20x20.</p>
<p>Place the assembly below the ceiling plate.</p>	<p>Tighten the screws. Secure with the 4 provided M10x30 screws.</p>



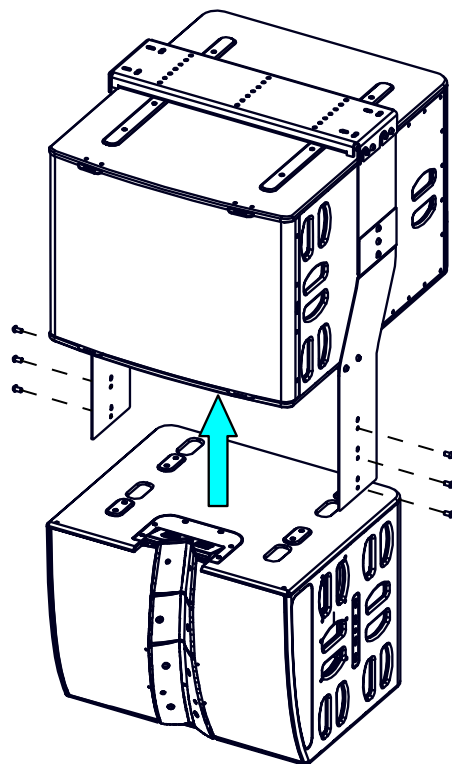
nexo-sa.com  
ZA du Pre de la Dame Jeanne  
60128 PLAILLY - France

- Read this document before using.
- Keep this document.
- Observe all warnings and cautions.



### Implementation of M210 with HF block in "Wide" position

Place M210 between the plates, using 6x M10x18 screws.



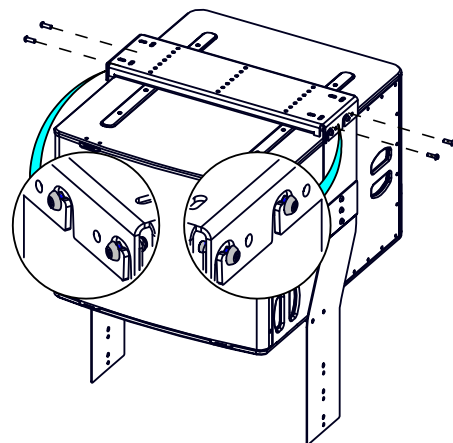
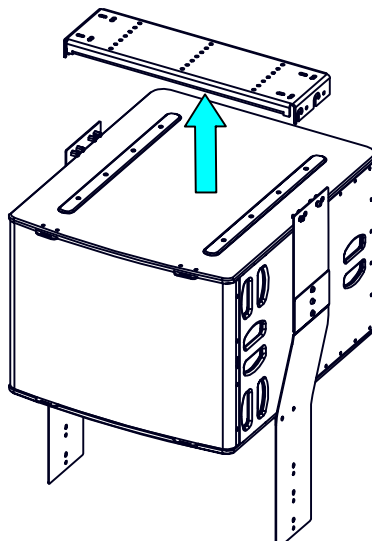
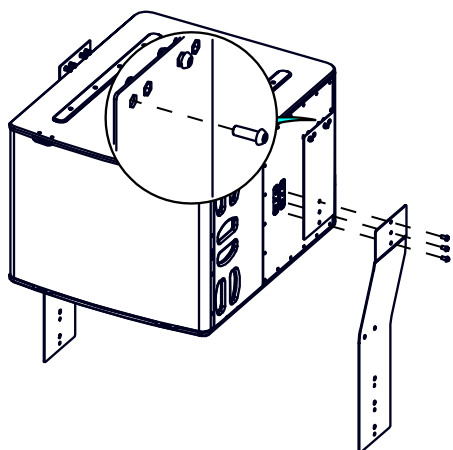
### Implementation of B218 – M210 with HF block in "Narrow" position

Prepare the Main plates by screwing the M10x30 screws on the holes (see picture below), do not tighten completely and leave at least 6mm.

Assemble the Plates on each side of B218 using the M10x18 screws.

Place the assembly below the ceiling plate.

Tighten the screws. Secure with the 4 provided M10x30 screws.



# NEXO

nexo-sa.com

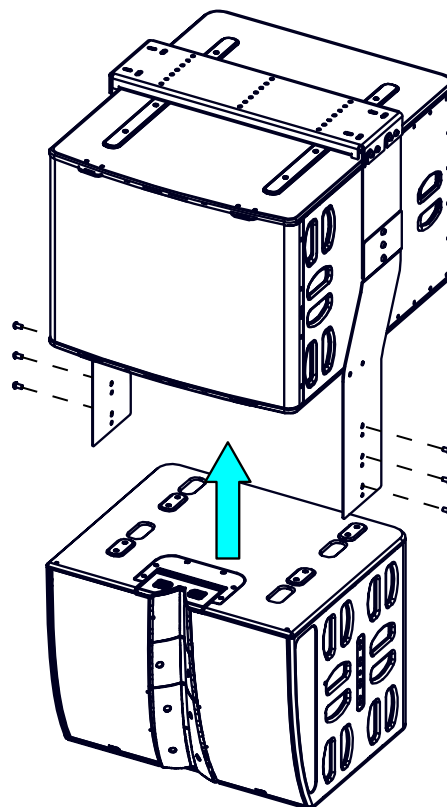
ZA du Pre de la Dame Jeanne  
60128 PLAILLY - France

- Read this document before using.
- Keep this document.
- Observe all warnings and cautions.



## Implementation of M210 with HF block in "Narrow" position

Place M210 between the plates, using 6x M10x18 screws.



## ANI-LK02 frame tilt (+/-1°)

	Holes 1	Holes 2	Holes 3	Holes 4	Holes 5	Holes 6	Holes 7
Tilt	+ 8°	+ 6°	+ 3°	0	- 3°	- 6°	- 8°

Note 1 : Holes 1 are those toward F.O.H.

Note 2 : All angles measurements have been done without cables weight.

Note 3 : Angles are in relation to Horizontal position ( 0° )

- NEXO cannot accept responsibility for accidents caused by any factor other than defects in this product itself.
- Please check the web site [nexo-sa.com](http://nexo-sa.com) for the latest update.

# NEXO

nexo-sa.com

ZA du Pre de la Dame Jeanne  
60128 PLAILLY - France

- Read this document before using.
- Keep this document.
- Observe all warnings and cautions.

