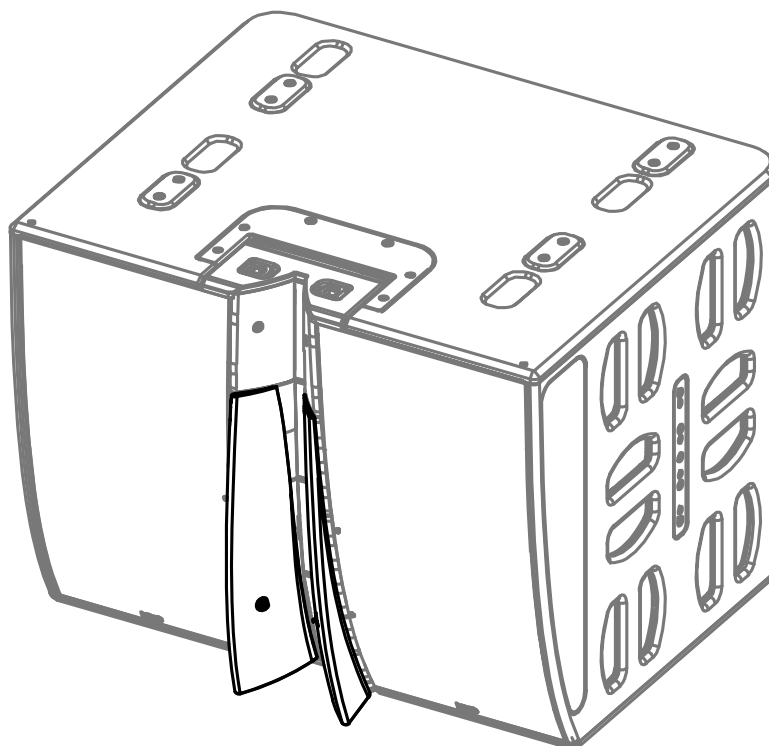
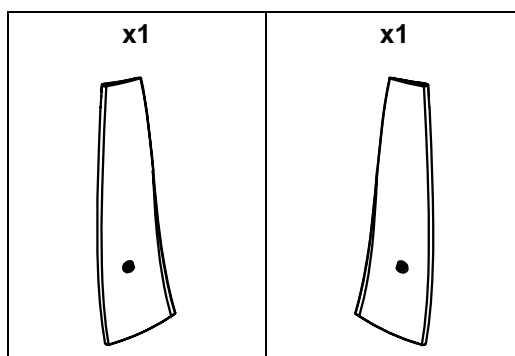


## Flange 60° for M210

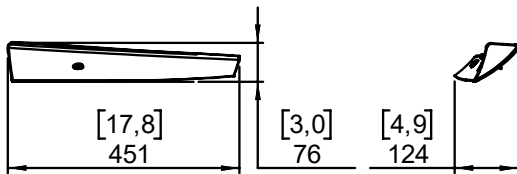


### Contents:



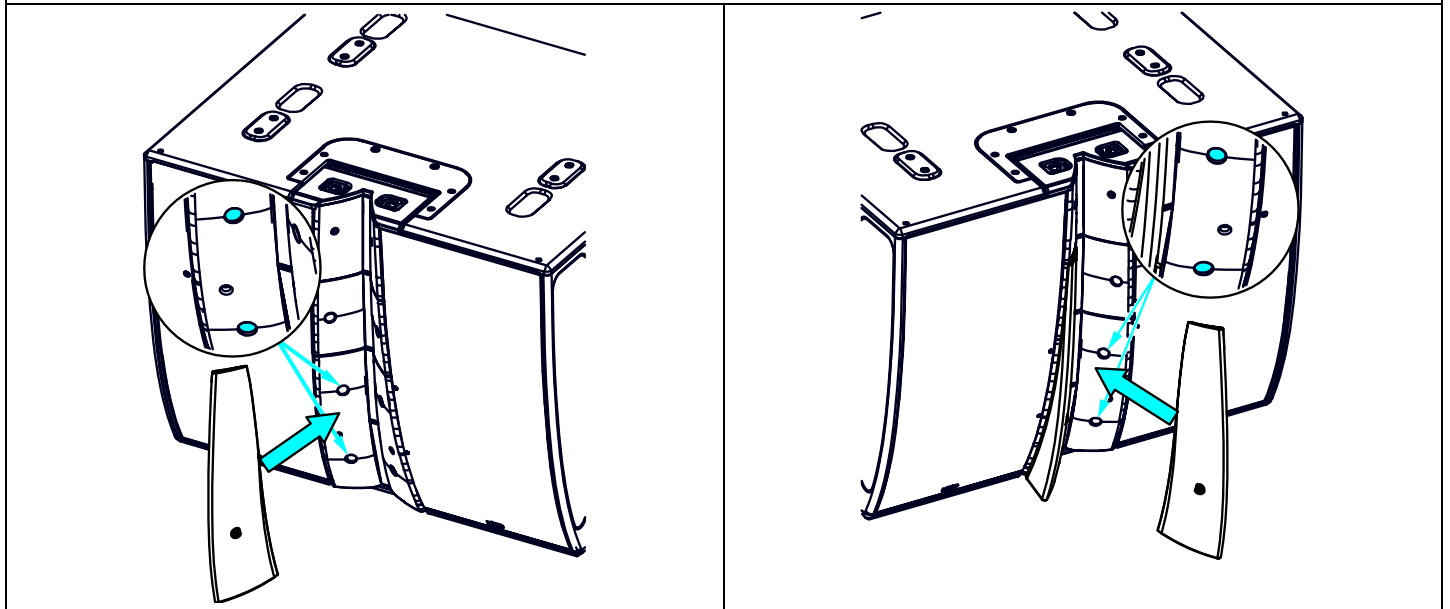
Weight: 1.4 kg / 3.1 lb

Size:



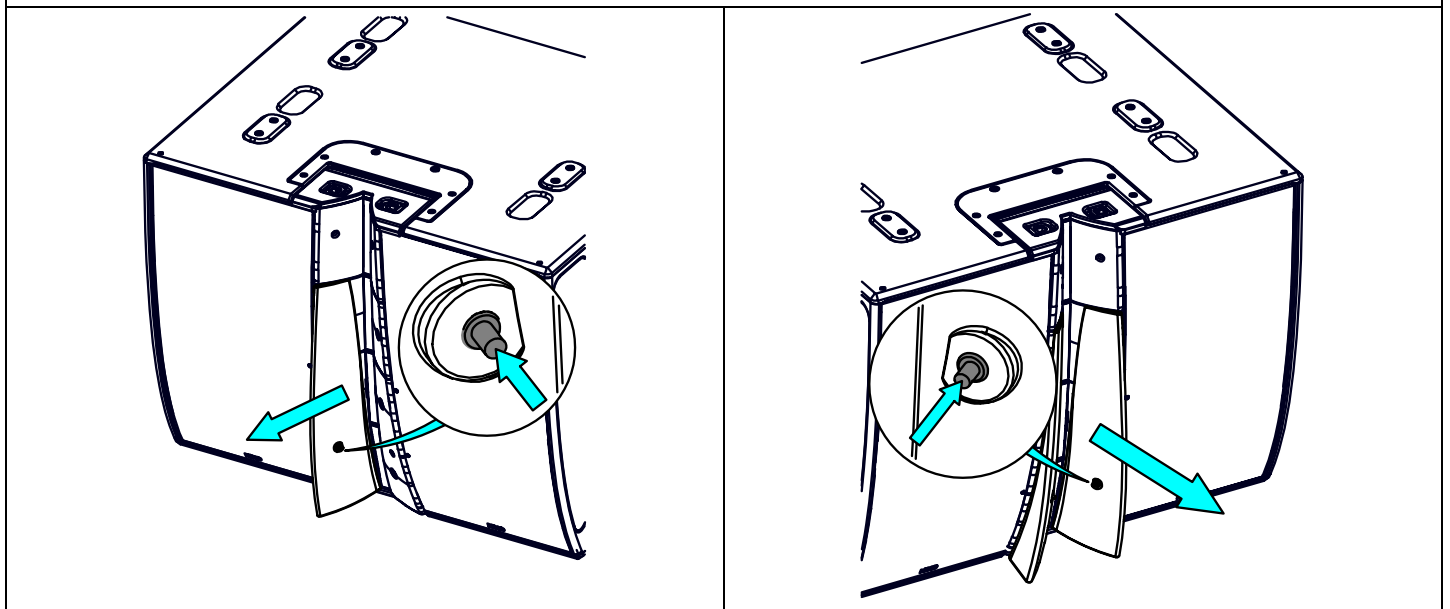
Assembly:

Place the flanges on the magnets of the horns and lock them in place with the quick release pins.



Disassembly:

While pressing on the ball-bearing spindle, pull the flanges forward.



- NEXO cannot accept responsibility for accidents caused by any factor other than defects in this product itself.
- Please check the web site [nexo-sa.com](http://nexo-sa.com) for the latest update.

**NEXO**

[nexo-sa.com](http://nexo-sa.com)

ZA du Pre de la Dame Jeanne  
60128 PLAILLY - France

- Read this document before using.
- Keep this document.
- Observe all warnings and cautions.

