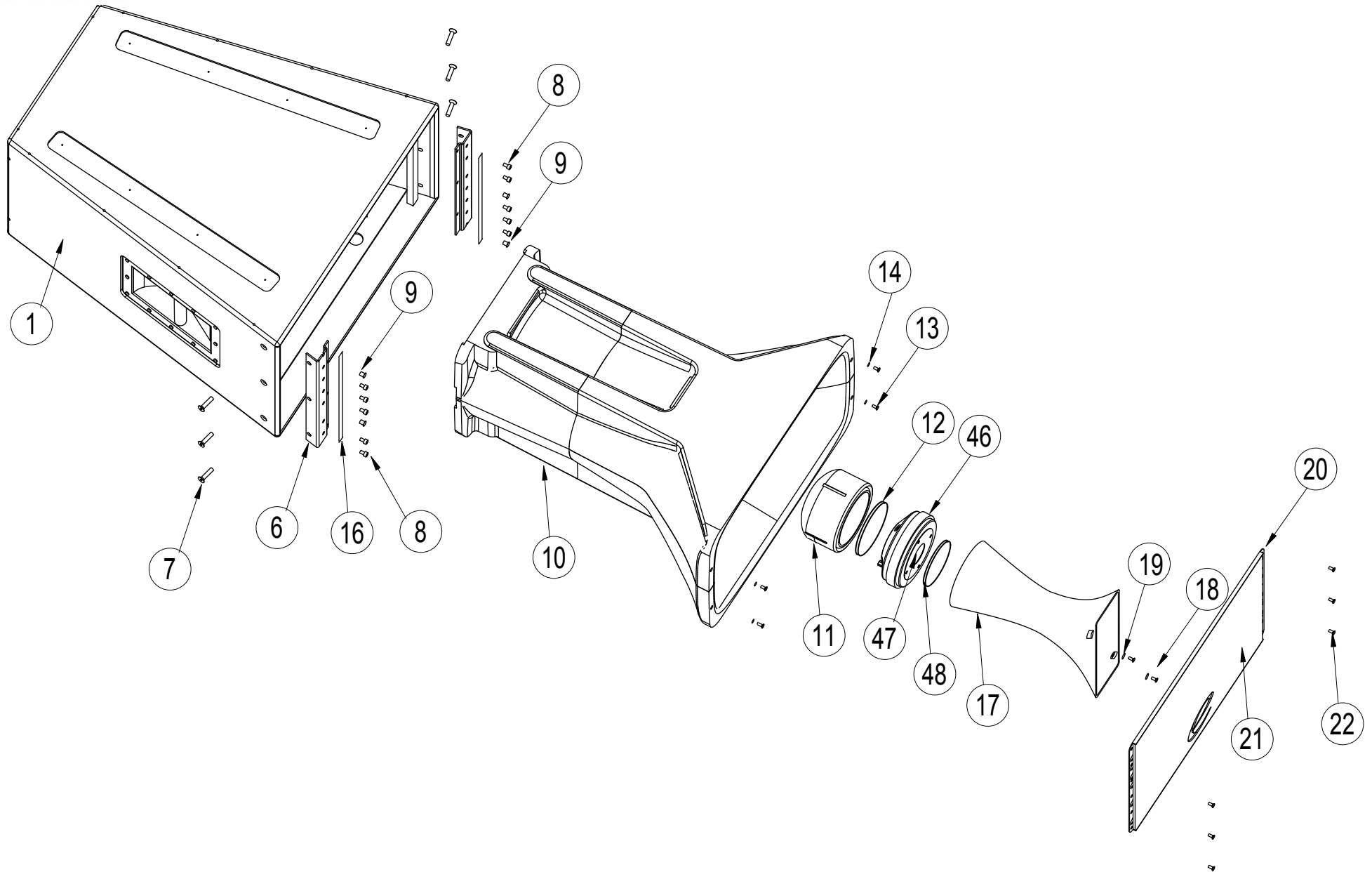


De EM
SPARE PARTS

NEXO

INNOVATE

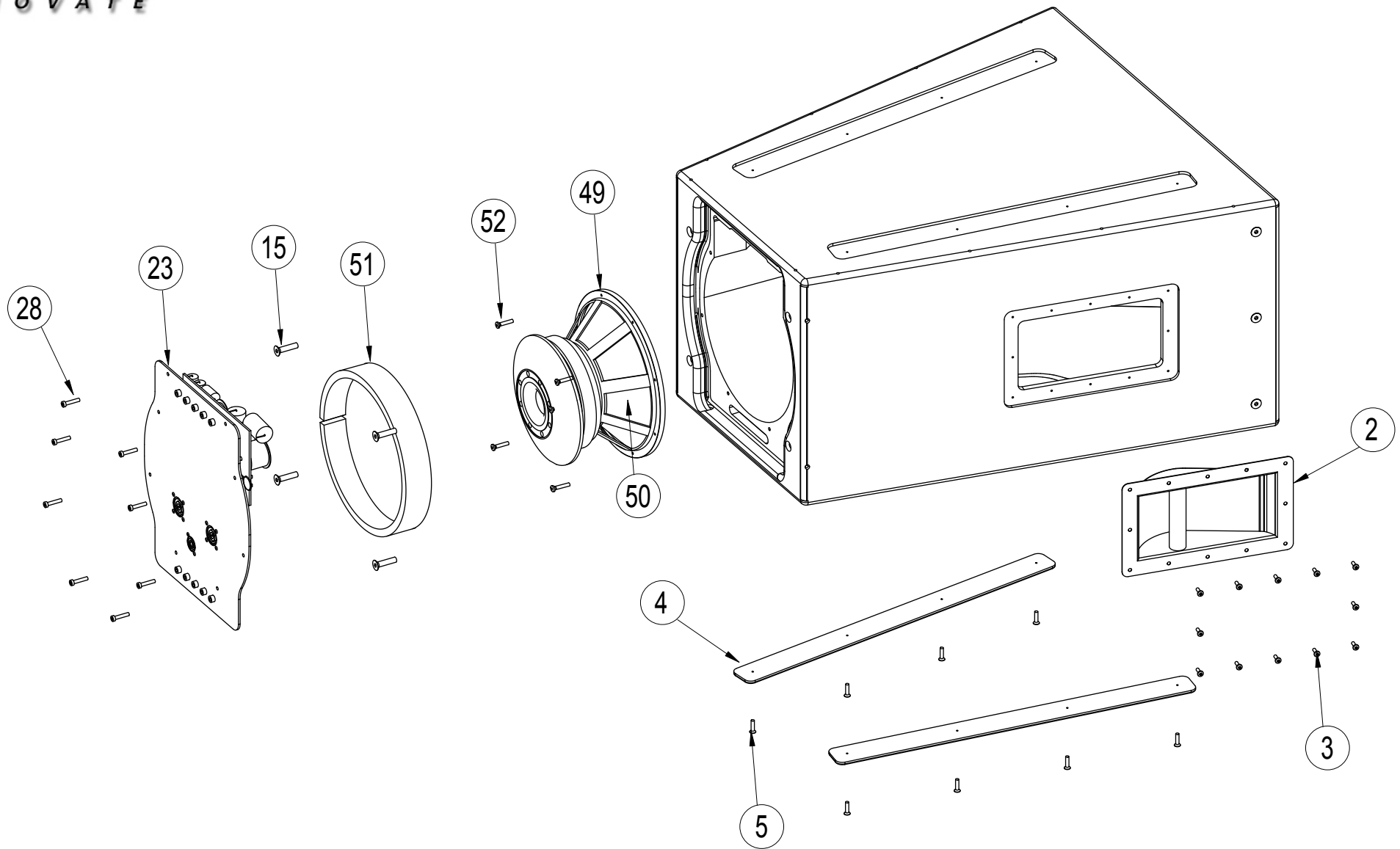
ALPHA EM FRONT VIEW

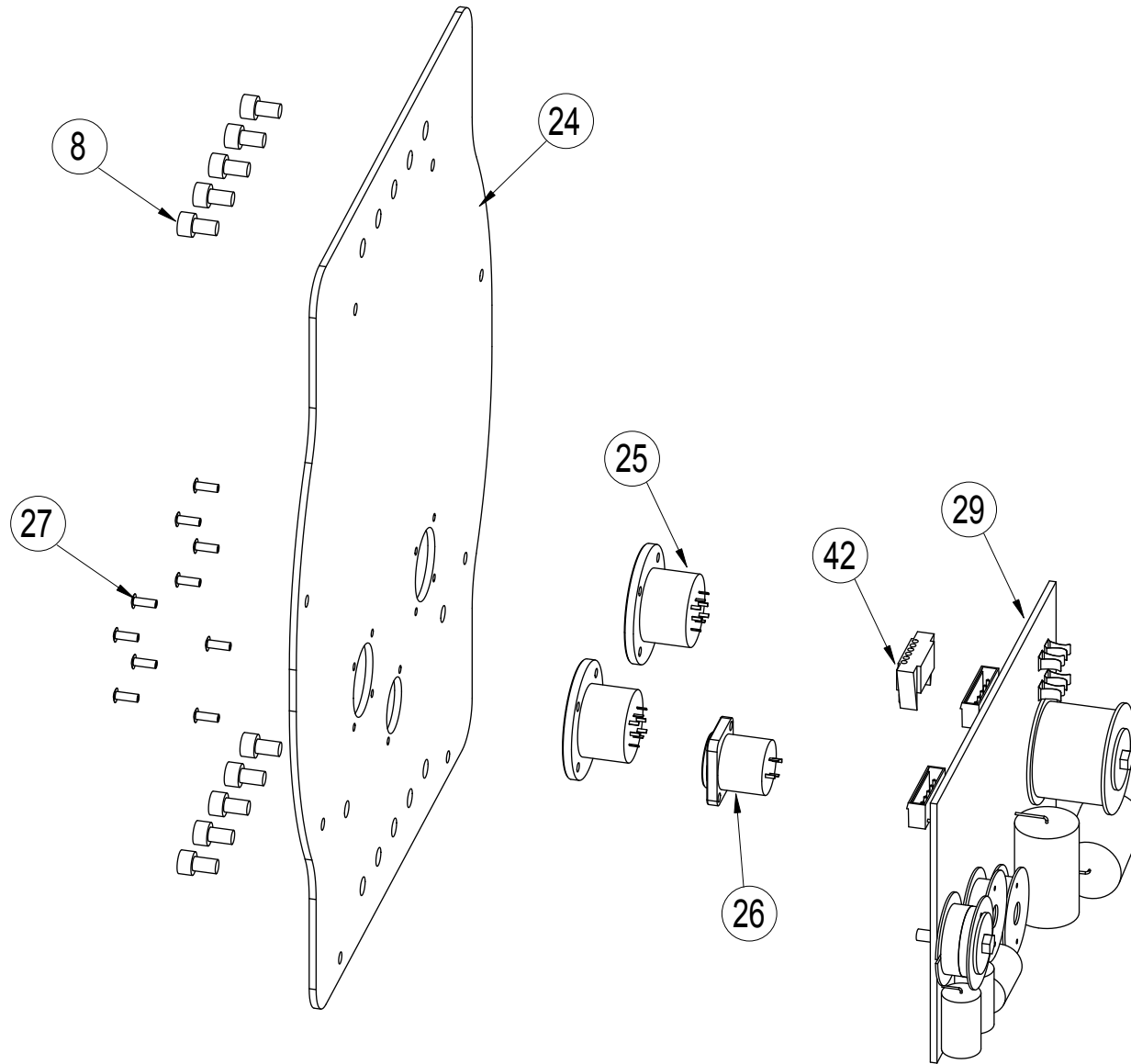


NEXO

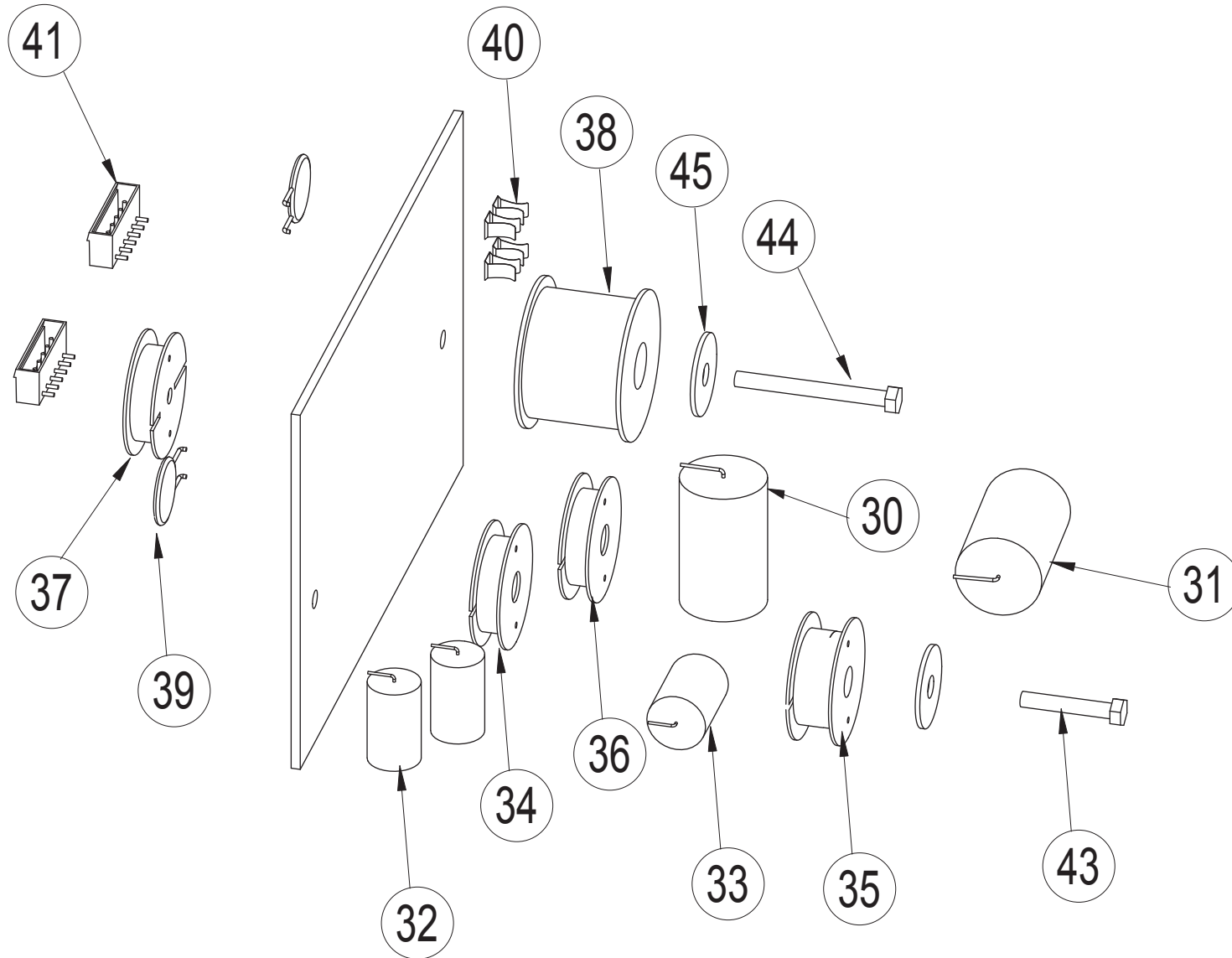
INNOVATE

ALPHA EM REAR VIEW





ALPHA EM PASSIVE FILTER VIEW



MARK	QUANTITY	ASSEMBLY	SUB ASSEMBLY	PART REFERENCE	DESIGNATION
AL.EM					
1	1	05EBEMMOQ		05EBEMMOQ	ALPHA EM EMPTY BOX CARPETED
1	1	05EBEMPEINT		05EBEMPEINT	ALPHA EM EMPTY BOX PAINTED
2	2			05AMBARGM	METAL BAR HANDLE
3	24			05VXTCC4.514N	BLACK TORX VBA TCC SCREW 4.5X14
4	2			05PATIN	ALPHA M4/B1/S2 NYLON SKID
4	2			05PATINPEINT	ALPHA PAINTED SKID
5	8			05VXTCFX520N	BLACK TORX FLAT HEAD SCREW 5X20
6	2			05KELP794	EM FRONT KELP PLATE
7	6			05VXTCFX825N	BLACK TORX FLAT HEAD SCREW 8x25
8	20			05VXTCX610N	BLACK TORX CYLINDRIC SCREW 6X10
9	4			05APBOUCHD8	ALPHA KELPING BLACK STOPPER
10	1		05PAVBMALPHE	05PAVBMALPHE	EM / EF MID HORN
11	1			05PMPBMALPHE	ALPHA EM MID PMP
12	1			05MSAF9518	ALPHA E ACOUSTIC FOAM DRIVER / MID HORN
13	4			05VXTCC525N	BLACK TORX VBA TCC SCREW 5X25
14	4			05VRX516N	BLACK WHASHER 5X16
15	4			05VXTCFX835N	BLACK TORX FLAT HEAD SCREW 8X35
16	2			05JNEOP5X10	NEOPREN GASKET 5X10
17	1		05PAVHMALPE	05PAVHMALPE	HIGH HORN FOR ALPHA E
18	2			05VXCHC535N	BLACK TORX CYLINDRIC SCREW 5X35
19	2			05VRA510ZN	BLACK WHASHER 5X10
20	1		05AL.EM-CFA	05AL.EM-CFA	COMPLETE GRILLE FOR ALPHA EM
21	1			05MFAALPHAEM	BLACK FOAM BULPREN EM
22	6			05VXTCFX512N	BLACK TORX FLAT HEAD SCREW 5X12
23	1		05AL.EM-FPC	05AL.EM-FPC	CONNECTION PLATE WITH PASSIVE FILTER FOR EM
24	1			05AL.EM-FPA	COMPLETE CONNECTION PLATE WITH ARTWORK
25	2			05CNXNL8MDV	SPEAKON 8 MDV
26	1			05CNXNL4MDV	SPEAKON 4 MDV
27	10			05VRI3.216N	BLACK ALUMINIUM RIVET
28	8			05VXTCX525N	BLACK TORX CYLINDRIC SCREW 5X25
29	1			05AL.EM-FPB	PASSIVE FILTER FOR EM
30	1			05FCNP10	CAPACITOR 10 µF MKP 400V 5%
31	1			05FCNP18	CAPACITOR 18 µF MKP 400V 5%
32	2			05FCNP4.7	CAPACITOR 4.7 µF MKP 400V 5%
33	1			05FCNP6.8	CAPACITOR 6.8 µF MKP 400V 5%
34	1			05FSO.56MH0.42R	COIL 0.56mH 0.42R 5%
35	1			05FSO.56MH0.48R	COIL 0.56mH 0.48R 5%
36	1			05FSO.68MH0.58R	COIL 0.68mH 0.58R 5%
37	1			05FSO.85MH0.72R	COIL 0.85mH 0.72R 5%
38	1			05FS1.00MH0.40R	COIL 1.00mH 0.40R 5%
39	2			05PLSW300RXE	POLYSWITCH RXE 300
40	4			05SUPFUS520	CLIP SUPPORT FUSE 5X20
41	2			05SENSEV5M	MALE CONNECTOR
42	1			05SENSEV5F	FEMALE CONNECTOR
43	1			05VLTH530	BRASS SCREW 5X30
44	1			05VLTH550	BRASS SCREW 5X50
45	2			05VRA630Z	WASHER 6X30
46	1		05NH82B-8	05NH82B-8	COMPLETE HIGH DRIVER FOR EM

47	1			05NH75R/K	DIAPHRAGME ALPHA E / PS15
48	1			05MPPIHM	PPI JOINT DIA 96 FIVE HOLES
49	1		\$NM10R-8	05NM10R-8	COMPLETE MID DRIVER UNTIL S/N: 3615
50	1			05NM10R/K	RECONE KIT FOR NM10R-8
49	1		\$HPM10-8	05HPM10-8	COMPLETE MID DRIVER SINCE S/N: 3616
50	1			05HPM10R/K	RECONE KIT FOR HPM10-8
51	1			05MSAF6565	ACOUSTIC FOAM FOR MID DRIVER EM
52	4			05VXTCBX525N	BLACK TORX BUTTON HEAD SCREW 5X25