

## Bumper Touring S12/LS18

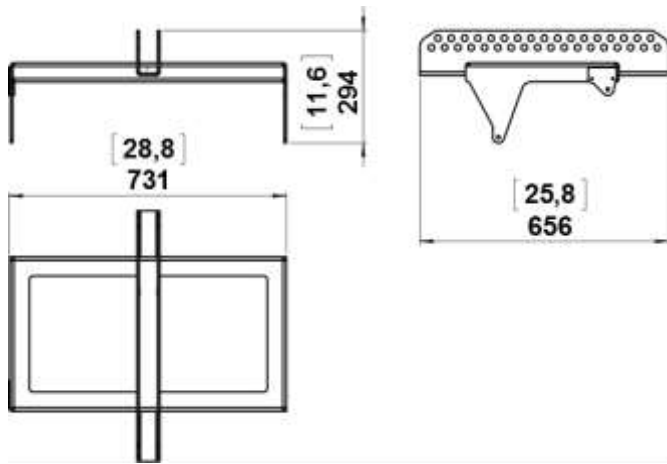


### Contents:

 X1	 05VAX16-110N X1	 05VGOU3 X2
---	--	--

Weight: 20 Kg

## Dimensions:



- Connect bumper to first LS18 or GEO S12 using « lift » points of XBOWs; ensure quick release pins are properly locked.
- Insert axis in bumper NS-1 predefined hole and secure it with provided “R” clip.

**NB:** Bumper holes are numbered #-17 to #17, please refer to NS-1 to determine axis position in relation to bumper angle requirements.

If bumper is flown with 2 hoists, then they should be connected to holes #-17 and #17.

