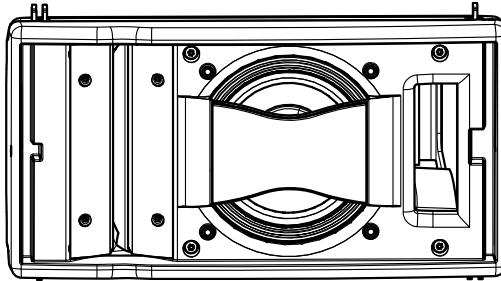
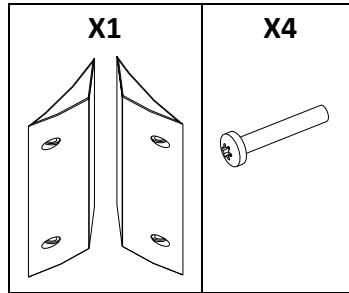


Flange 120° GeoM620

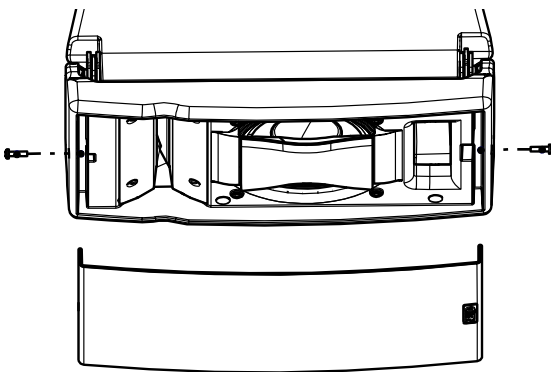


Contents:

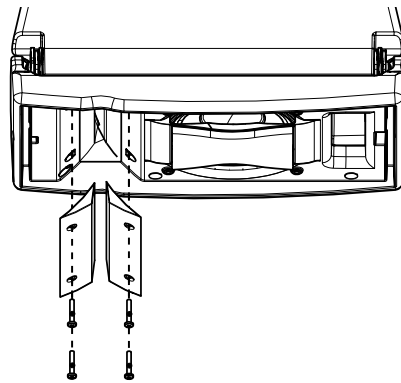


Weight: 0.2 kg / 0.44 lb

Remove the grid (T15)



Remove 4 screw - Positioning the flange - Reassembly the grid



- NEXO cannot accept responsibility for accidents caused by any factor other than defects in this product itself.
- Please check the web site www.nexo-sa.com for the latest update.