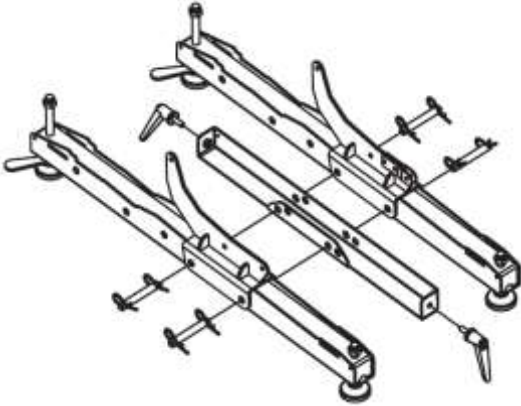





Ground Stack S12/LS18

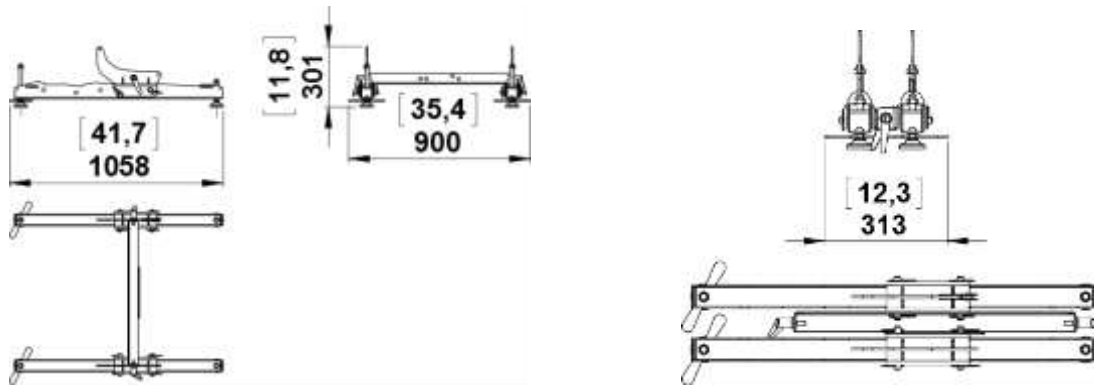


Contents:

X1	X4	X8	X2
	05VAX16-110N 	05VGOU3 	12MANTM10 

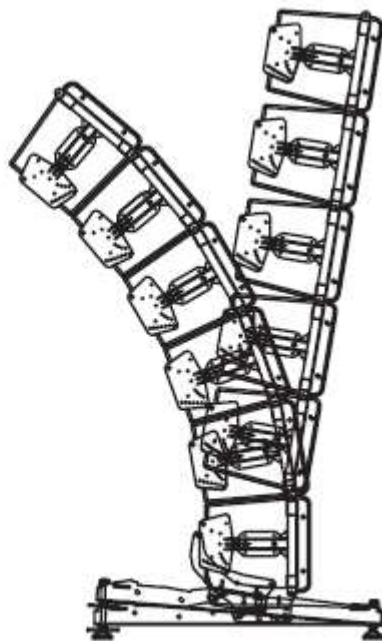
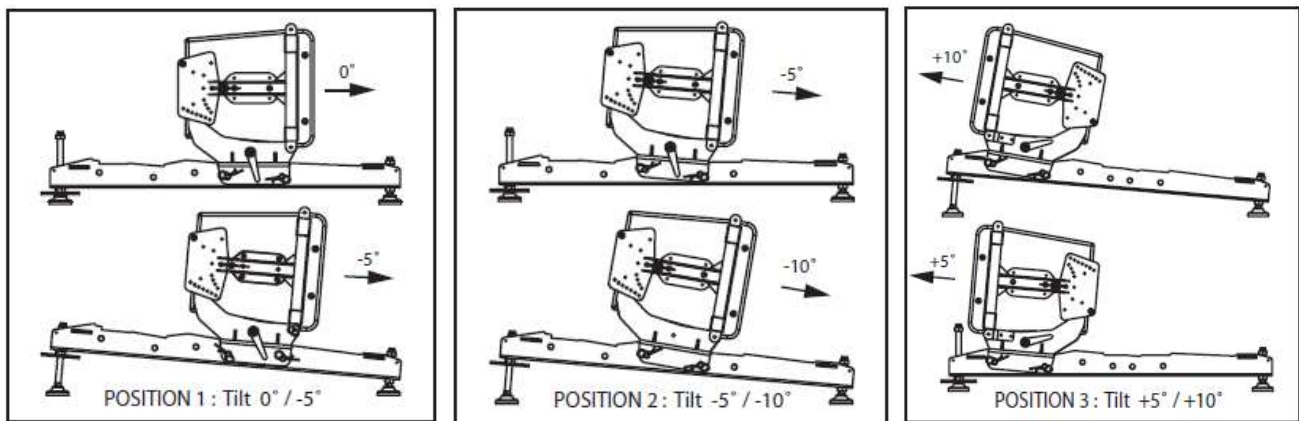
Weight: 26.5 Kg


Dimensions:



Depending on tilt angle – negative, null or positive - to be achieved, there are three positions to connect above assembly to the supporting beams.

Below drawings detail these configurations:



 **WARNING** : Use only 6 GEOS12 Max