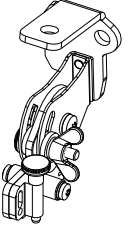
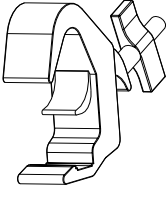



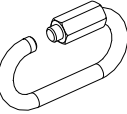



Quick Release Truss Clamp

(25 > 38 mm truss capacity)

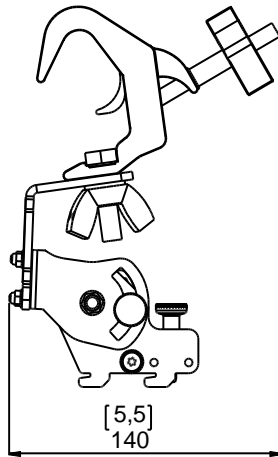
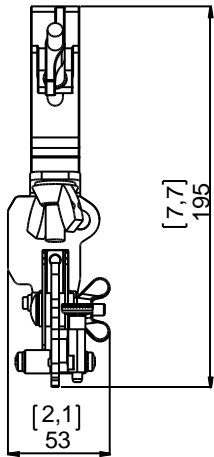


Contents:

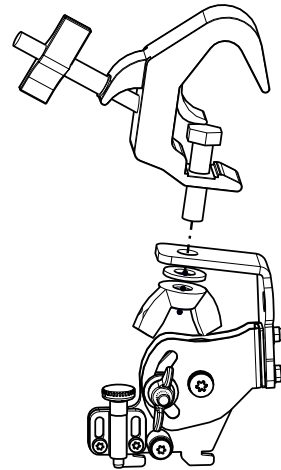
X1 (QRA) 	X1 	X1 M10x30 	X1 M10 	X1 M10 	X1 	X1 
--	--	---	--	---	--	--

Weight: 0.75 kg / 1.65 lb

Dimensions:



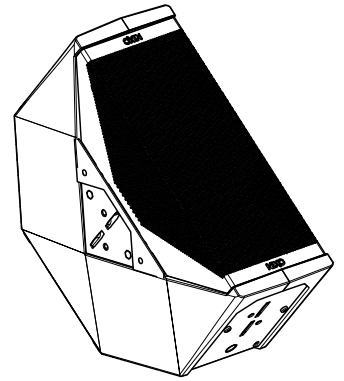
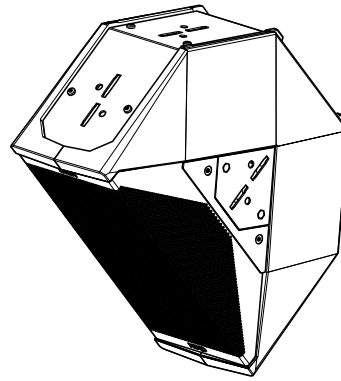
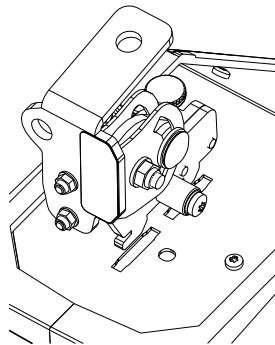
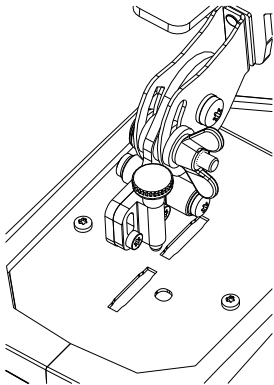
Assembly:



Implementation:

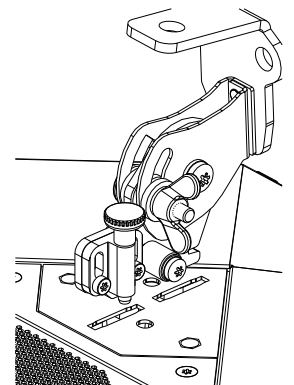
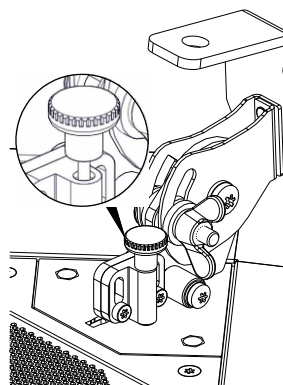
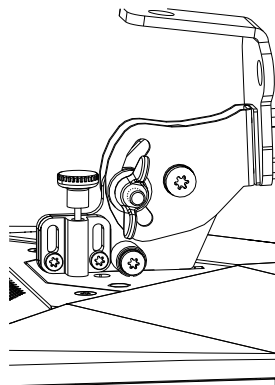
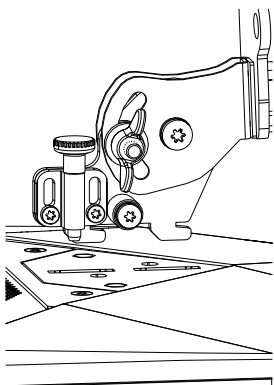
QRA can be moved in 2 different positions on the 5 locations.

You can find 5 locations, 2 to use horizontally and 3 vertically.



Insert QRA and push until the locking device locks automatically.

Pull up the locking device, and push QRA to remove it.



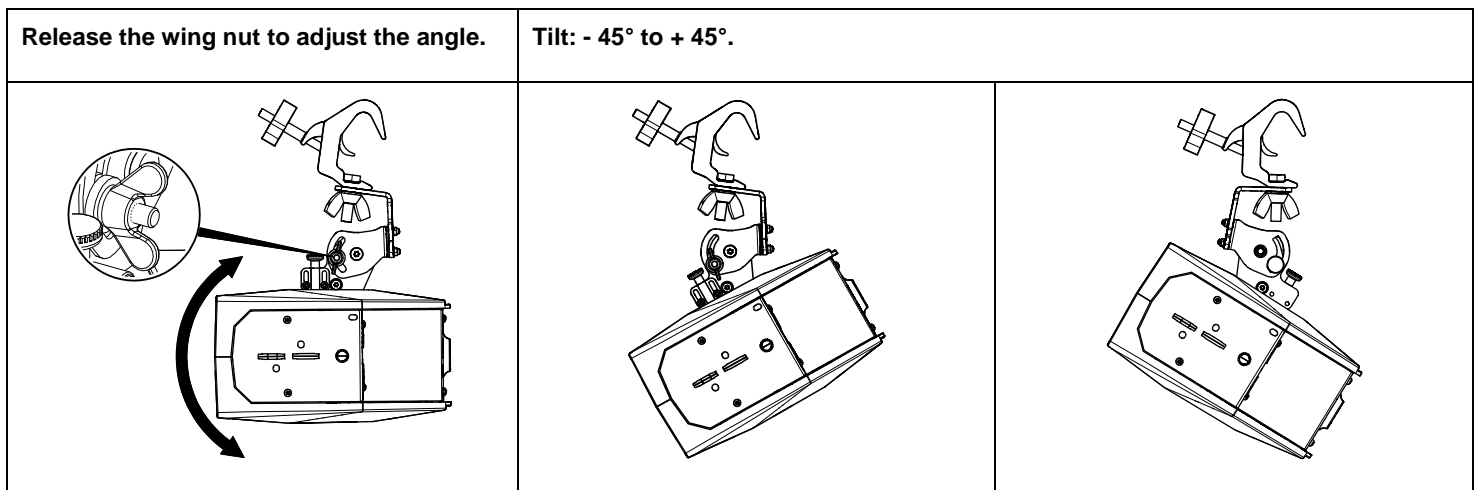
NEXO

www.nexo-sa.com

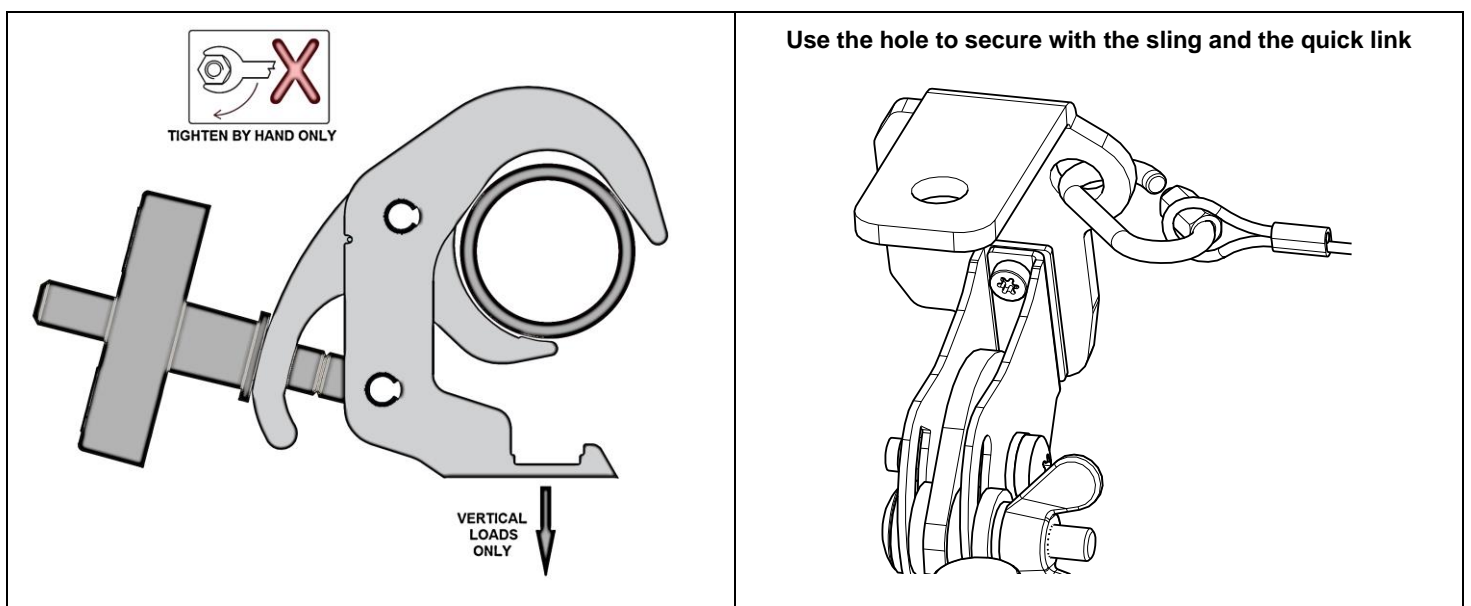
ZA du pre de la Dame Jeanne

60128 PLAILLY-France

Use:



- Never exceed the Safe Working Load (SWL) shown on the clamp.
- Only use the clamp within the designed tube parameters (25-38mm).
- All clamps should be visually inspected before use. In the event of any damage, the clamp should be taken out of service and returned to an 'Approved NEXO Service Agent' for inspection.
- When used in conjunction with other accessories, care must be taken to ensure that the minimum SWL of any components is not exceeded.
- All open clamps including hook clamps should be used in a vertical orientation only.



NEXO

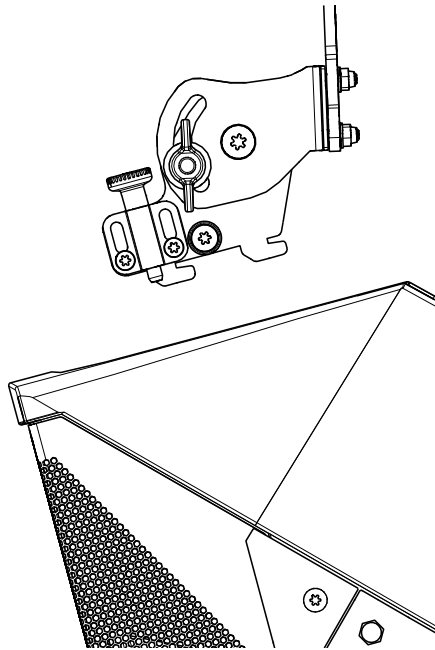
www.nexo-sa.com

ZA du pre de la Dame Jeanne

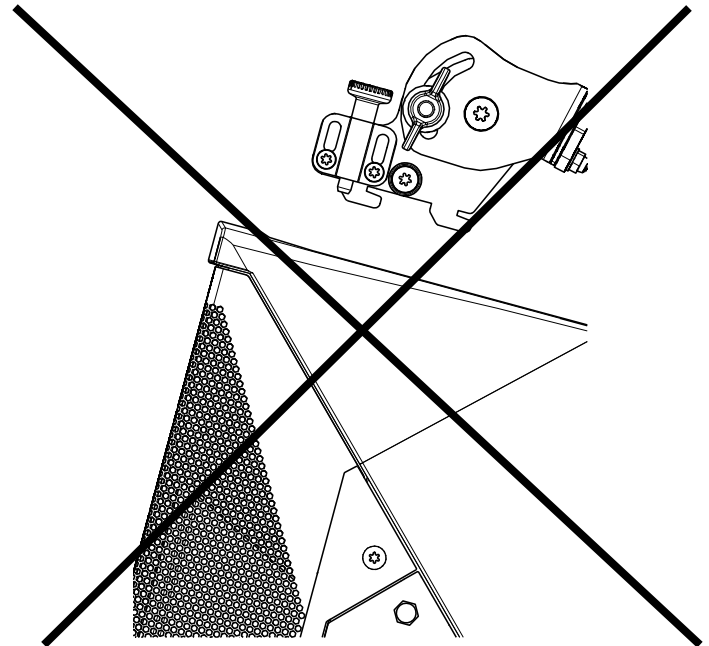
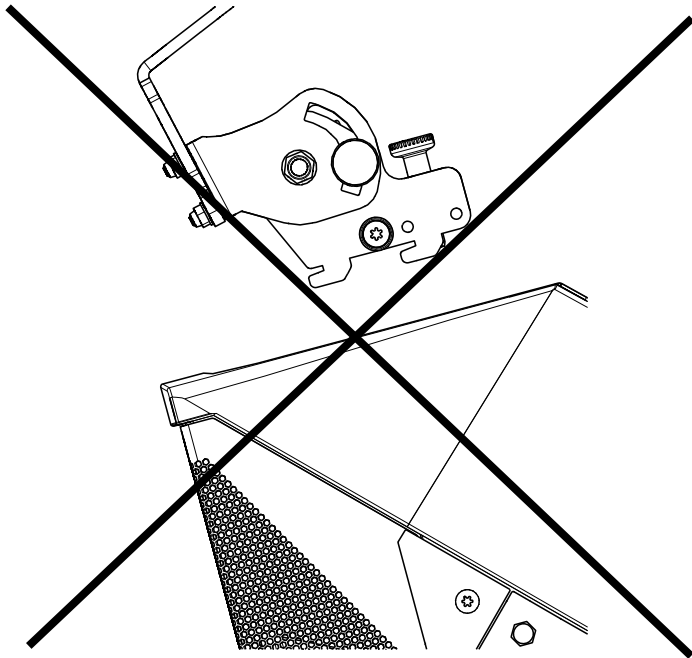
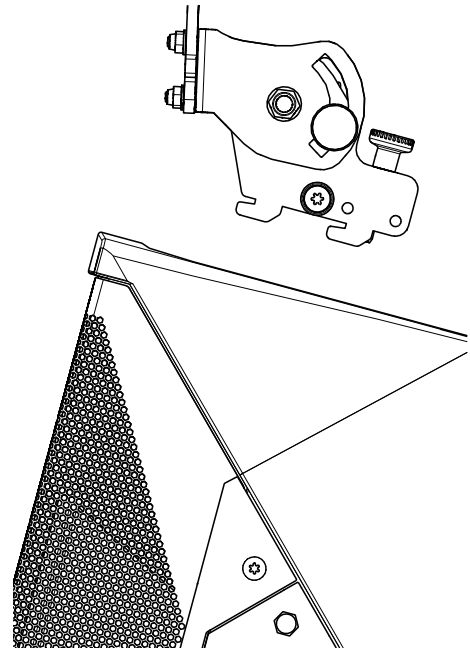
60128 PLAILLY-France

Warning:

Negative inclination: locking device towards the front of the cabinet.



Positive inclination: locking device towards the back of the cabinet.



- **NEXO cannot accept responsibility for accidents caused by any factor other than defects in this product itself.**
- **Please check the web site www.nexo-sa.com for the latest update.**

NEXO

www.nexo-sa.com

ZA du pre de la Dame Jeanne

60128 PLAILLY-France