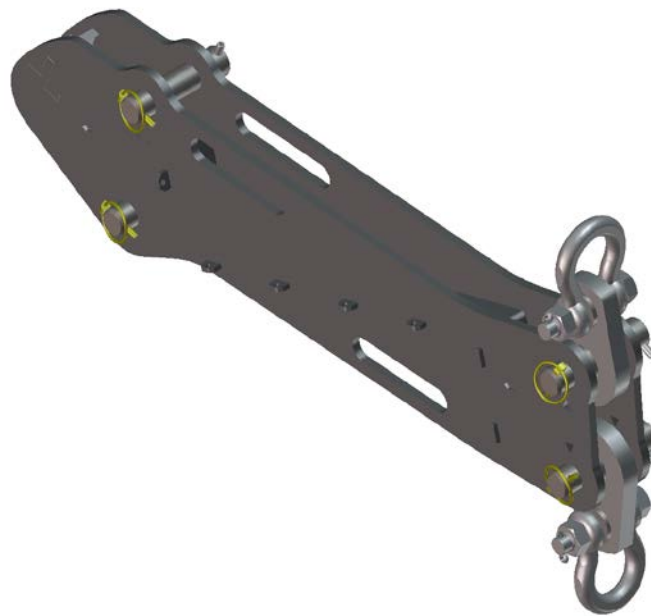





## Helping Beam

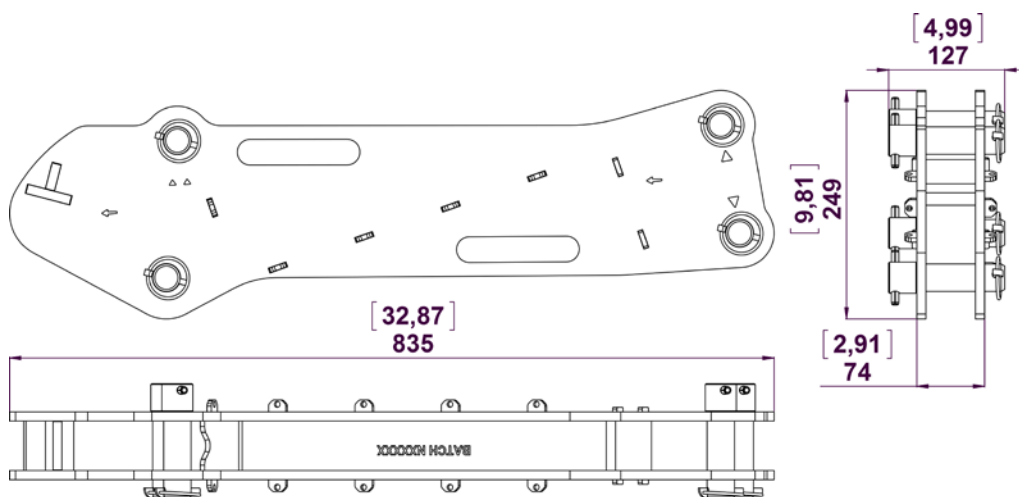


### Contents:

 <p>X1</p>	 <p>X4 Pin30</p>	 <p>X2 Centring</p>
---	---	--

**Weight: 26 Kg (Without Centring)**

# Dimensions:



On XBOW	On MBEAM
