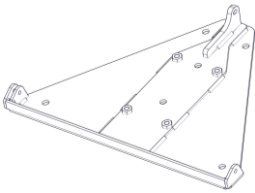



## Light Bumper GeoM6

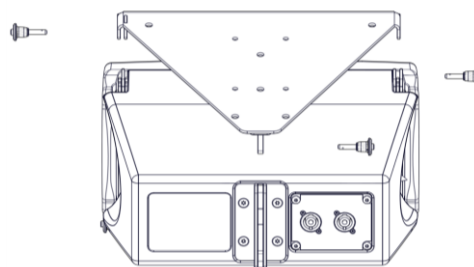
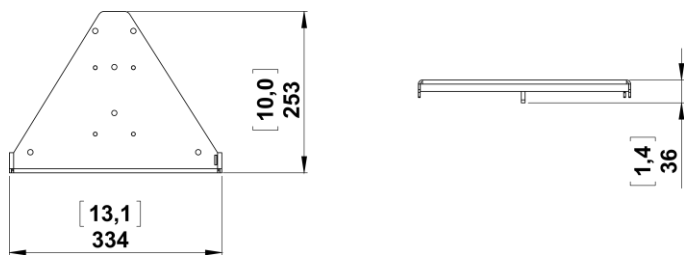


### Contents:

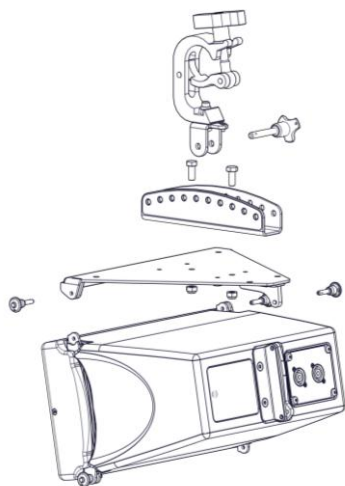
<p>X1</p> 	<p>X4 Torx 6x20</p> 
---	---

Weight: 2.7 Kg

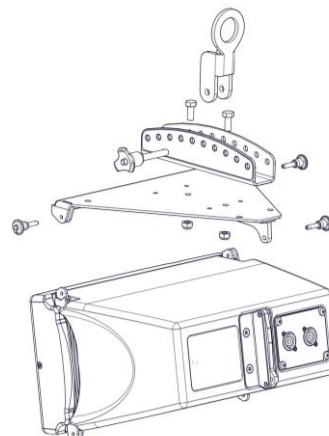
## Dimensions:



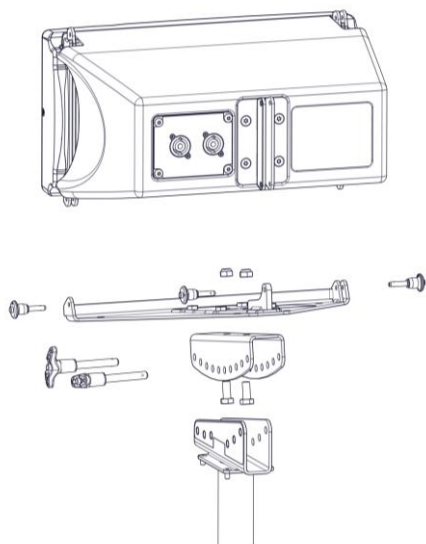
### - GMT-LBADPT / VNT-TCBRK



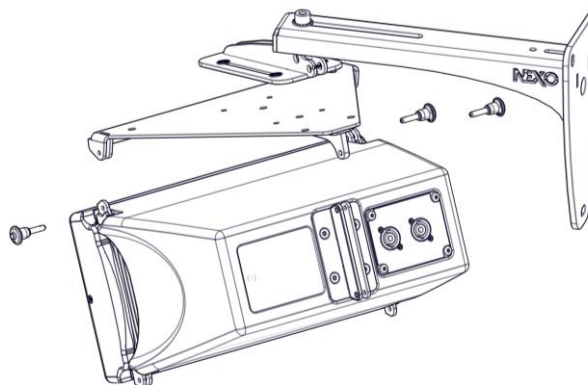
### - GMT-LBADPT / VNT-XHBRK



### - GMT-LBADPT / VNT-POLE



### - VNI-WS15



**Use only the provided screws (6x20). Risk of damage the cabinet with too long screw.**

**Apply Loctite243 on the screw before.**