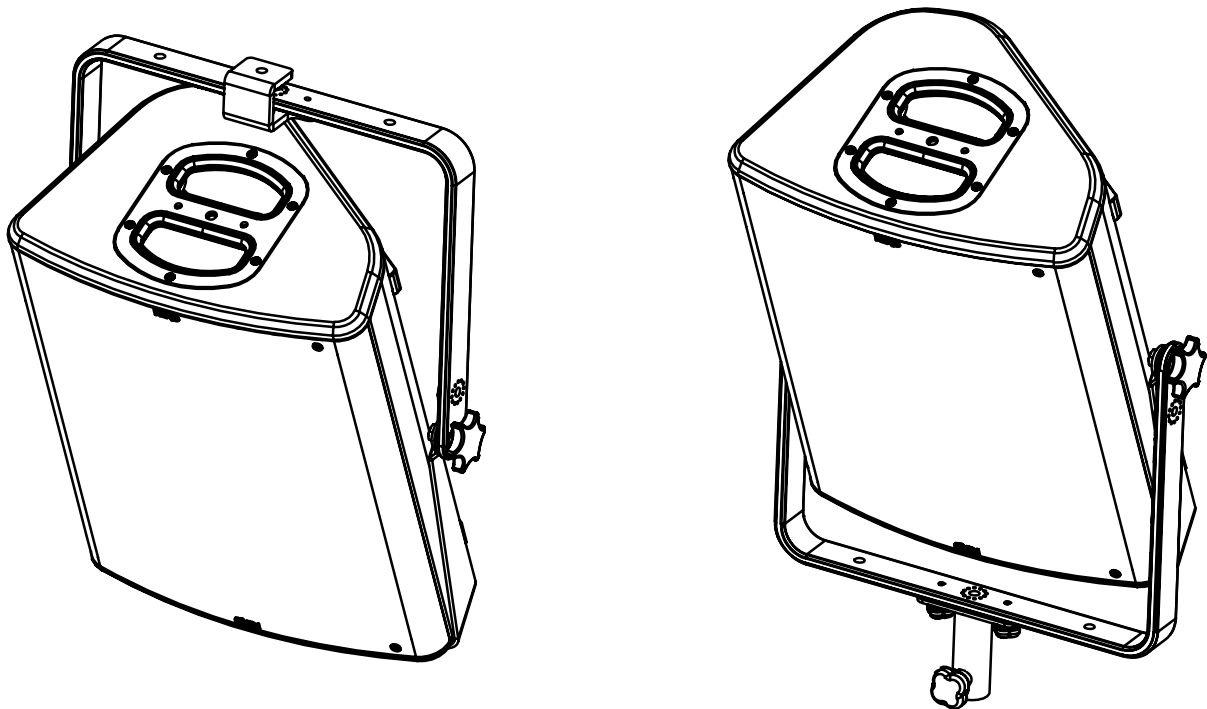


Vertical bracket for P12



Contents:

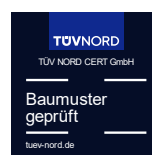
X1	X2 KNOBM6-P3195	X2 VXTCHC-P4452	X2 VXTCHC-P4449	X2 VRA10N (M10)

Weight: 3.7 kg / 8.2 lb

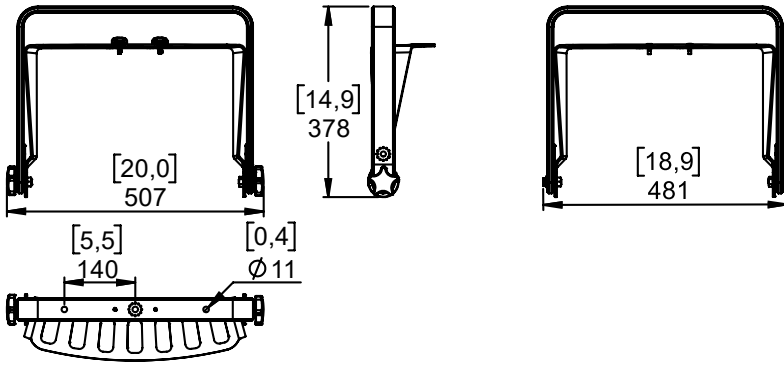


nexo-sa.com
 ZA du Pre de la Dame Jeanne
 60128 PLAILLY - France

- Read this document before using.
- Keep this document.
- Observe all warnings and cautions.



Dimensions:



Safety

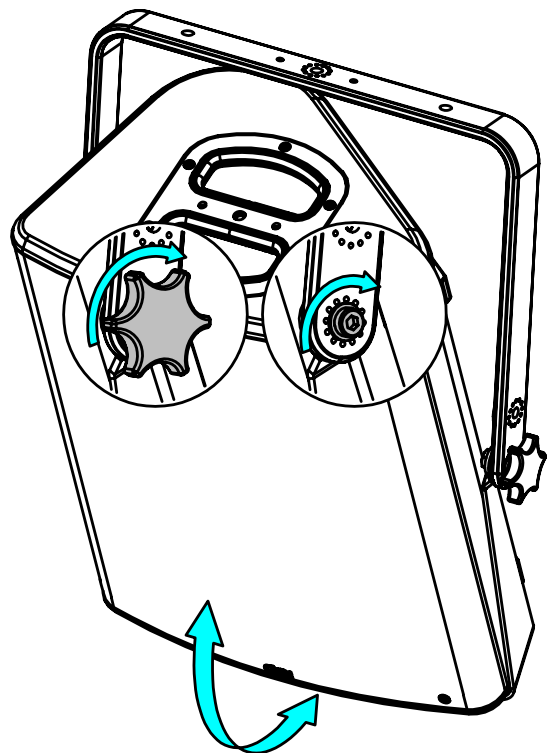
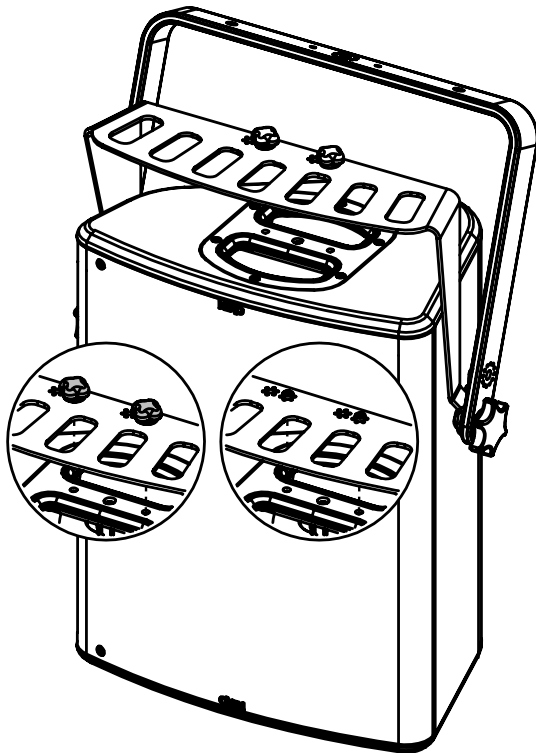
For permanent installation, use the provided thread lock coated screws.
 Please, select screws and mounting location supporting 4 times the system weight.
 The cradle must always be under the cabinet!

Fixing holes diameter 11mm – 0.433 inch

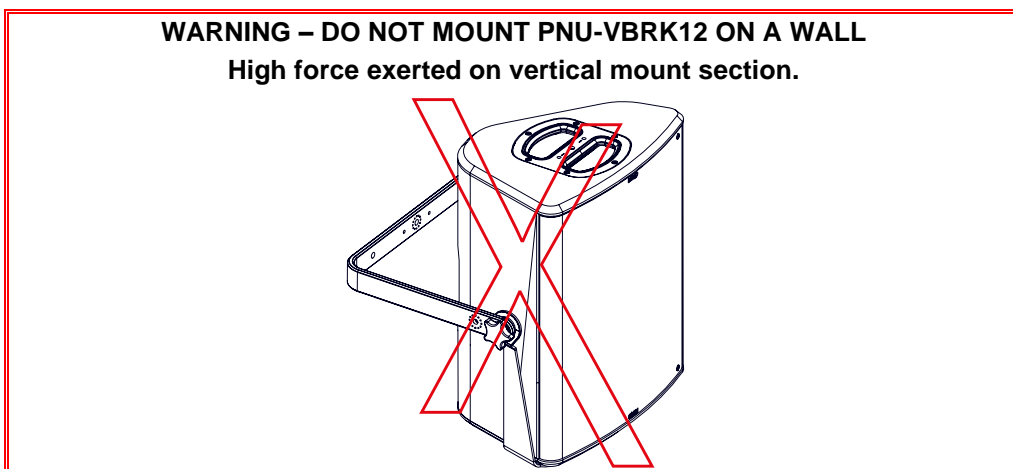
Use:

Place VBRK12 on P12, use only fasteners provided. Tight properly.

Adjust the P12 and tight properly on the sides, use only fasteners provided.



Read instructions to use with CLADAPT or PLADAPT



- NEXO cannot accept responsibility for accidents caused by any factor other than defects in this product itself.
- Please check the web site nexo-sa.com for the latest update.