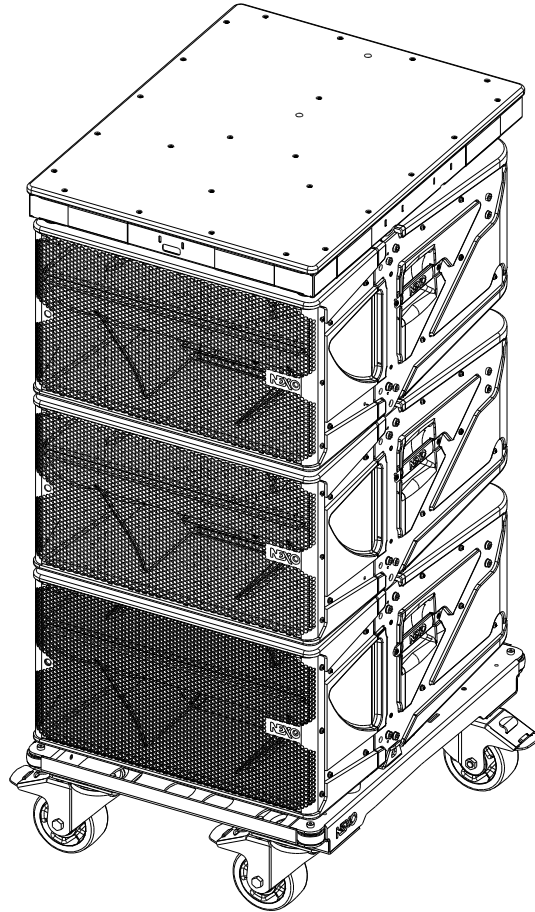
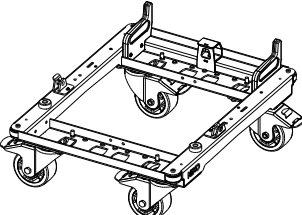


Single Dolly

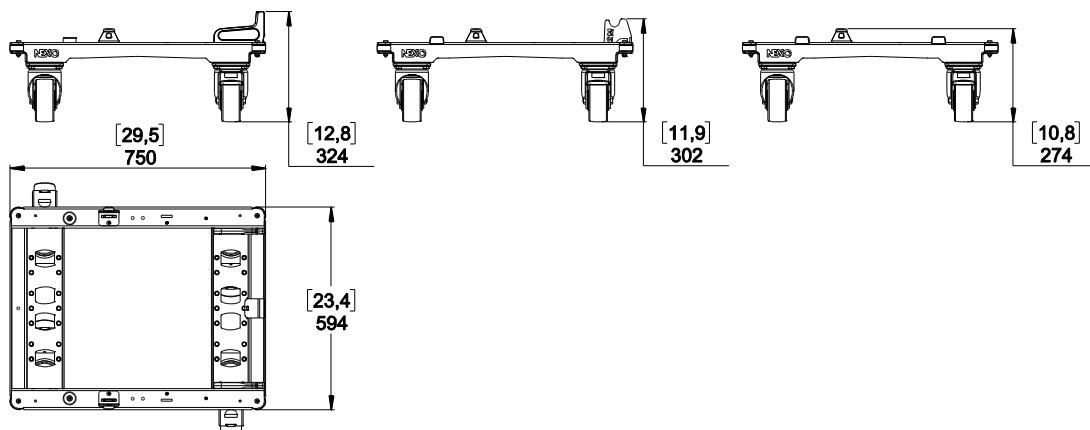


Contents:

<p>X1</p> 	<p>X1</p> <p>Kit S118-DOLLY</p>
---	---------------------------------

Weight: 32 kg / 70 lb

Dimensions:



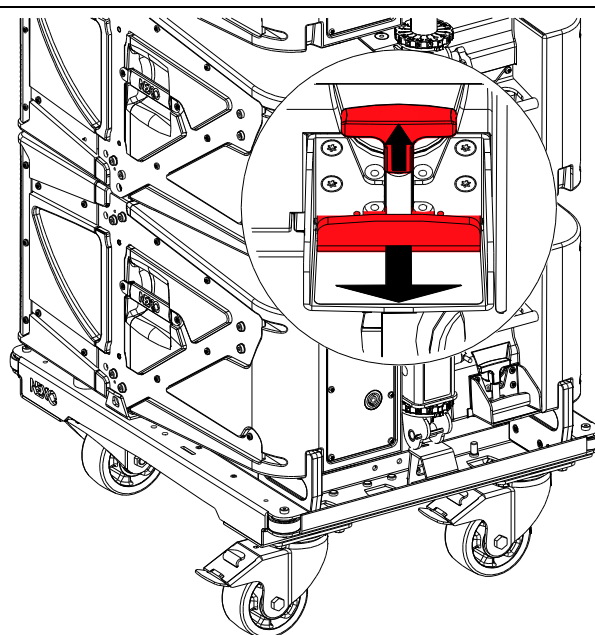
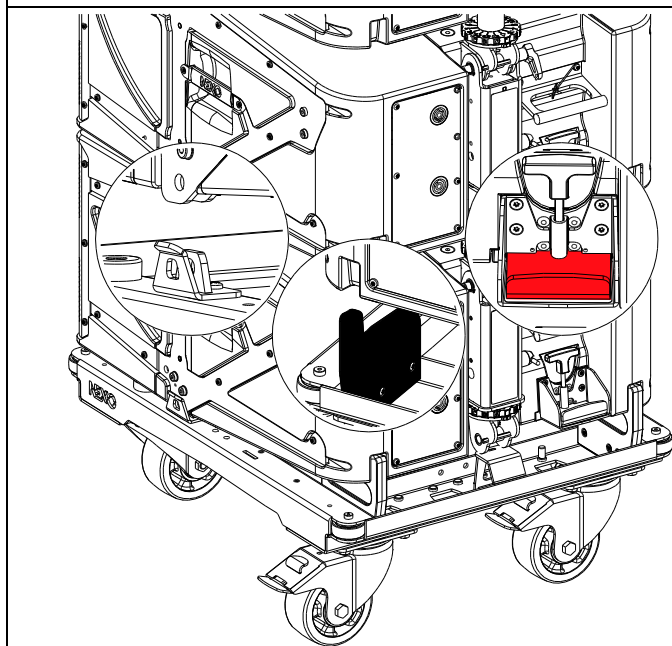
Use

Lock the Piston before.

Use the back guides to position the cabinets .

Lock cabinet on the dolly with RedLock.

Pull upwards the red latch and at the same time, pull the RedLock back to Unlock



- NEXO cannot accept responsibility for accidents caused by any factor other than defects in this product itself.
- Please check the web site nexo-sa.com for the latest update.

NEXO

nexo-sa.com

ZA du Pre de la Dame Jeanne
60128 PLAILLY - France

- Read this document before using.
- Keep this document.
- Observe all warnings and cautions.