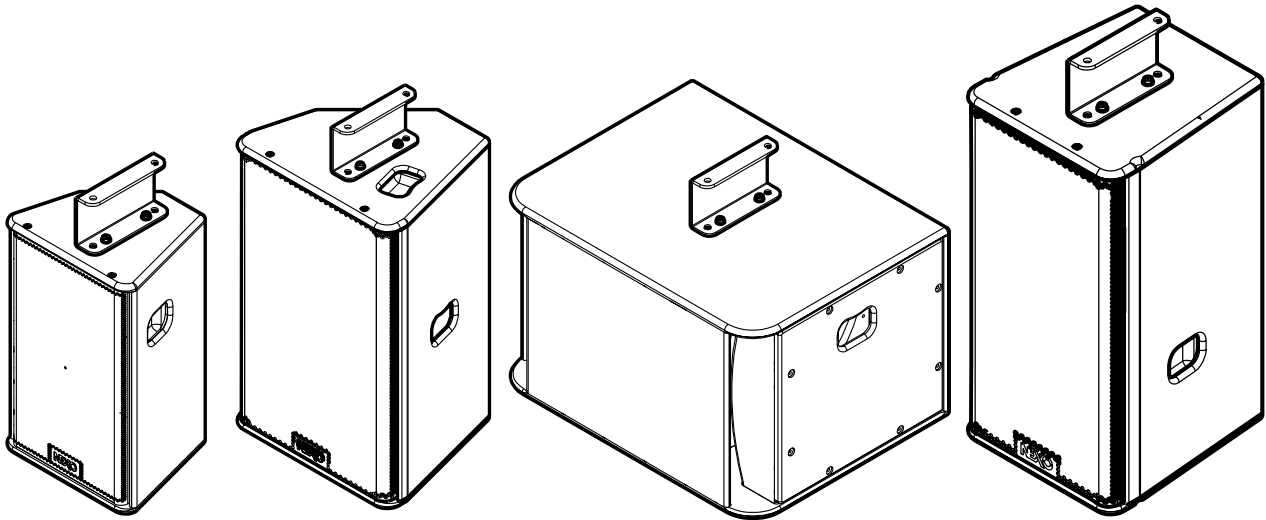


Horizontal Mounting Plate



Contents :

X1		X1		X2 (D8x12) VXTCHCD812	X2 (D8x20) VXTCHCD820
X2 (M8) VRX8RS	X2 (M6x25) VXTCBX625N	X2 (M6) VRA6N	X2 (M12x35) VXTH1235	X2 (M12) VRA12XN	X2 (M12) VNYLST12

Weight: 1 kg / 2.2 lb

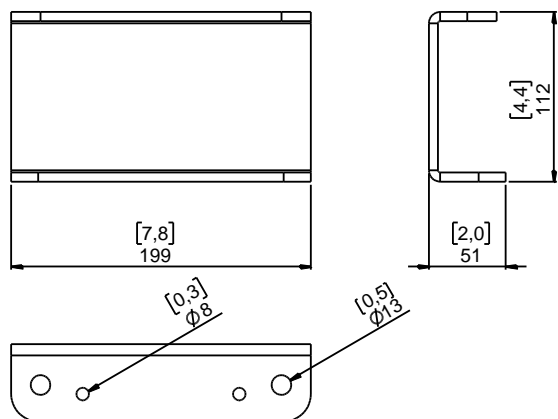


nexo-sa.com
ZA du Pre de la Dame Jeanne
60128 PLAILLY - France

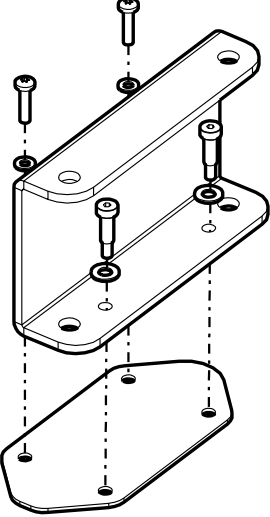
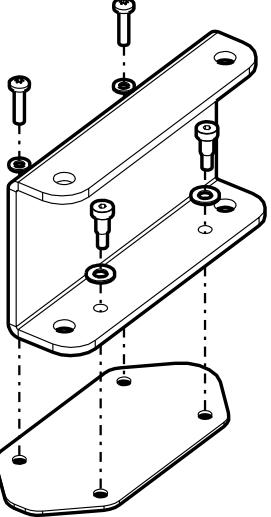
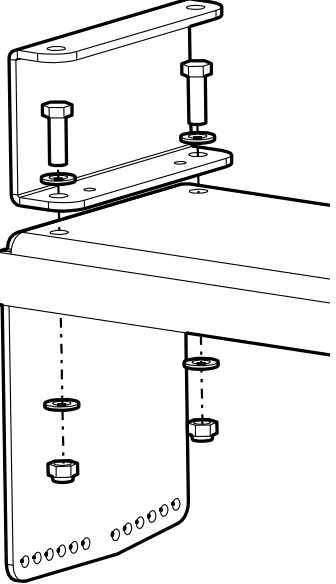
- Read this document before using.
- Keep this document.
- Observe all warnings and cautions.



Dimensions :



Use :

GEO S12 – LS600 (Use M6-D8x20)	PS10R2 – PS15R2 (Use M6-D8x12)	GPI-BUMPER (Use M12x35)
		

Warning:

- **Use only provided screws (thread lock coated or use Loctite 243).**
- **Be sure that the mounting location and fastener can bear at least 4 times the weight of the of all installed cabinets, auxiliary equipment and cables.**

- **NEXO cannot accept responsibility for accidents caused by any factor other than defects in this product itself.**
- **Please check the web site nexo-sa.com for the latest update.**