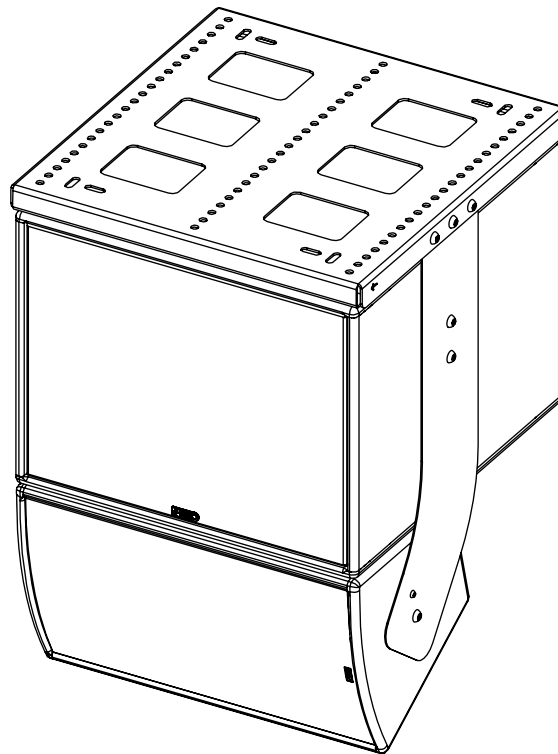


Coupler ePS10 – eLS600



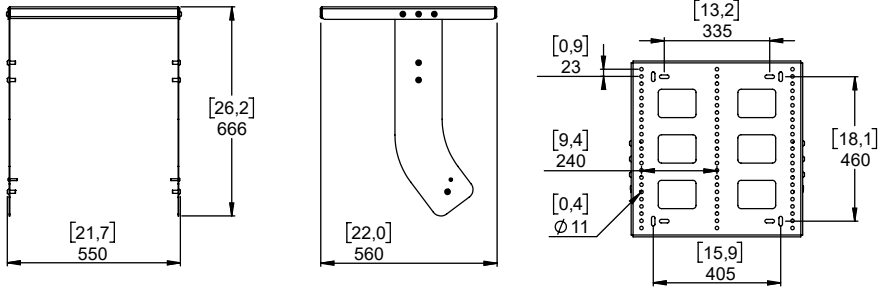
Contents:

<p>X1 Top Frame</p>	<p>X1 Left Plate</p>	<p>X6 M10x20</p>
<p>X1 Right Plate</p>	<p>X6 M10x30</p>	<p>X2 M6x25</p>

** The type of the screws may differ from the representation

Weight: 11.5 kg / 25.3 lb

Dimensions



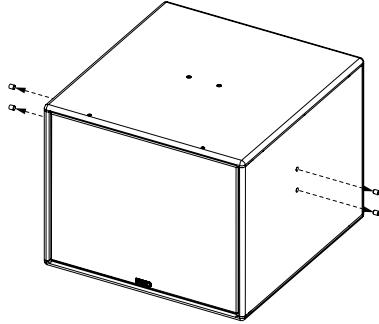
Warnings

Ensure that the mounting location and fasteners can support at least 4 times the weight of all the installed cabinets, auxiliary equipment and cables.

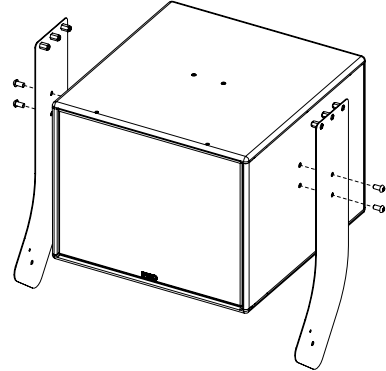
Use only the provided screws (thread lock coated) and accessories.

Assembly

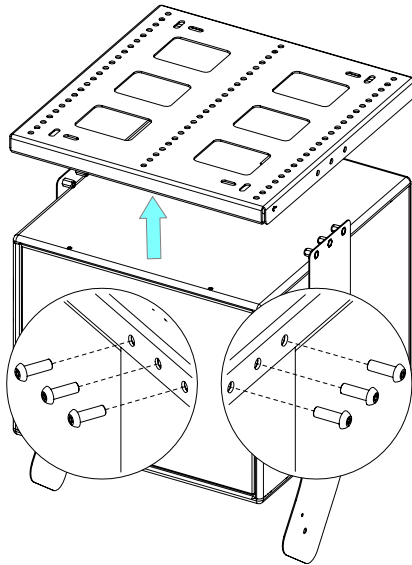
Remove the screws on both sides.



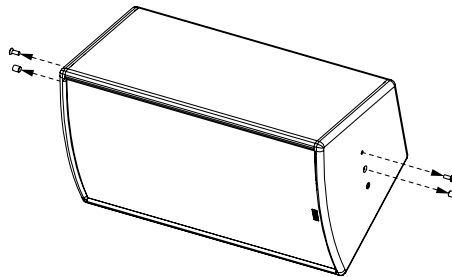
Assemble the Plates on each side of eLS600 using the M10x20 screws.



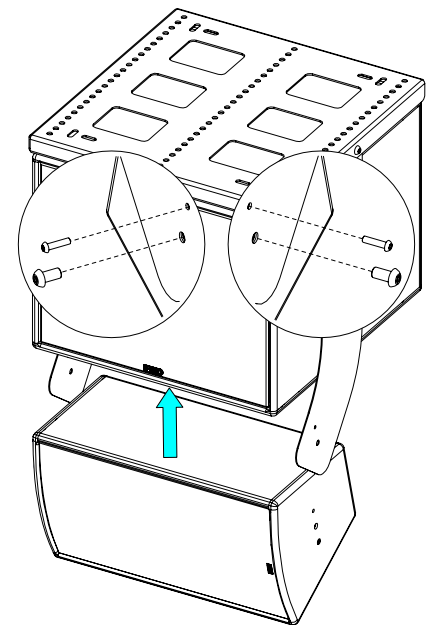
Place the assembly below the frame plate. Pay attention to the mounting direction, see the mark on the top frame. Fasten the M10x30 screws.



Remove the screws on both sides of ePS10.



Place ePS10, fasten with M10x20 and M6x25 screws.



Hole*	1	2	3	4	5	6	7	8	9	10	11	12	13	14	15	16	17	18	19	20	21	22	23
Angle (+/- 1°)	+34	+30	+27	+24	+21	+18	+14	+10	+7	+2	-3	-7	-12	-15	-18	-22	-25	-27	-30	-34	-37	-39	-41

*From the front of the cabinet

- NEXO cannot accept responsibility for accidents caused by any factor other than defects in this product itself.
- Please check the web site nexo-sa.com for the latest update.