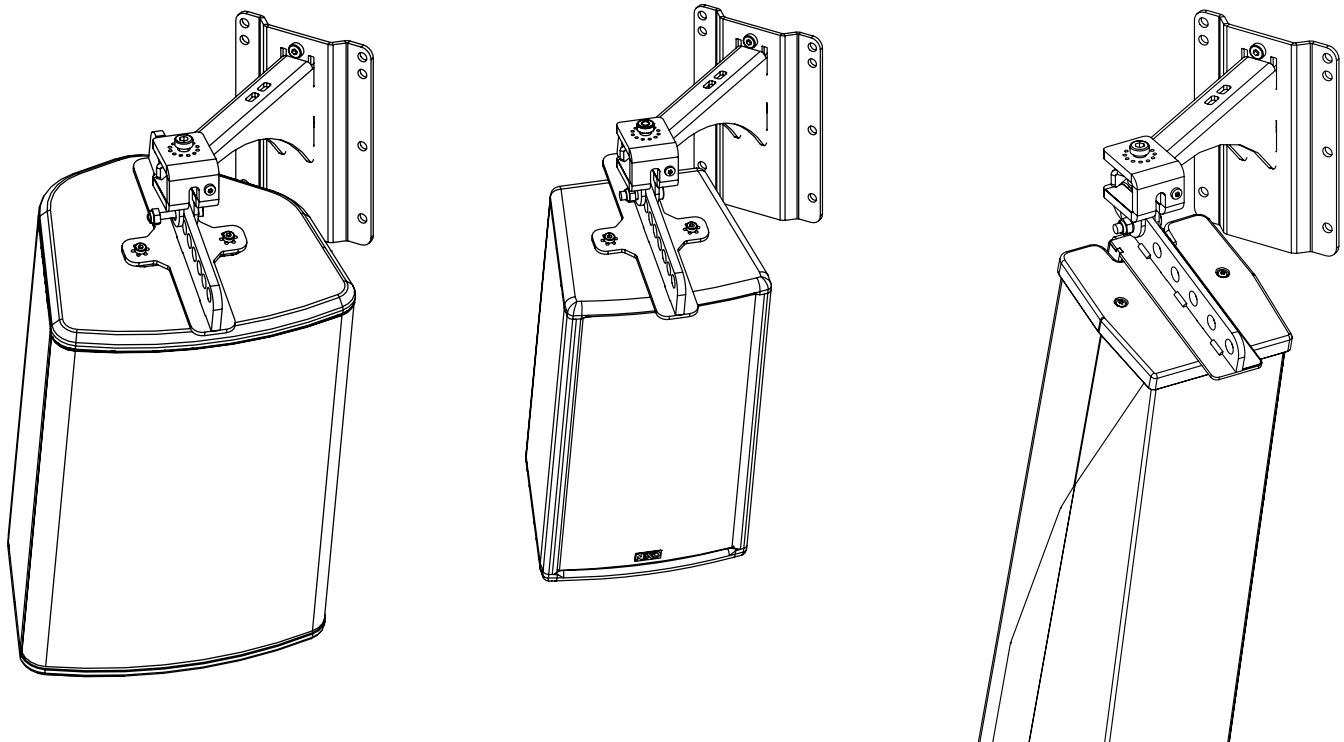


## Fixed hanging bracket 200mm

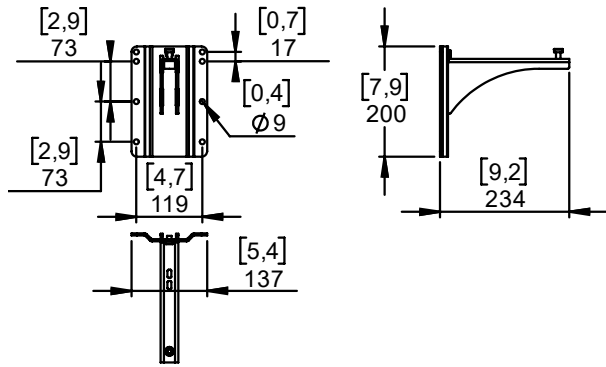


### Contents:

<p>X1</p>	<p>X1</p>	<p>X1 M10 x 35</p>	<p>X1 M8 x 10</p>
-----------	-----------	------------------------	-----------------------

Weight: 1.6 kg / 3.5 lb

**Dimensions:**



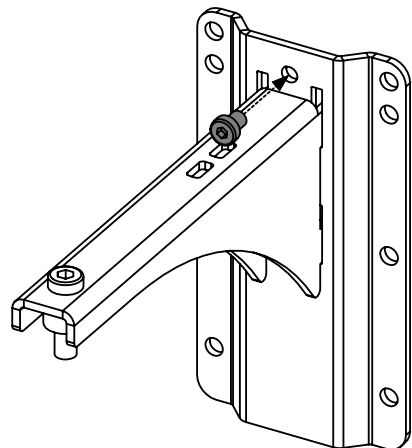
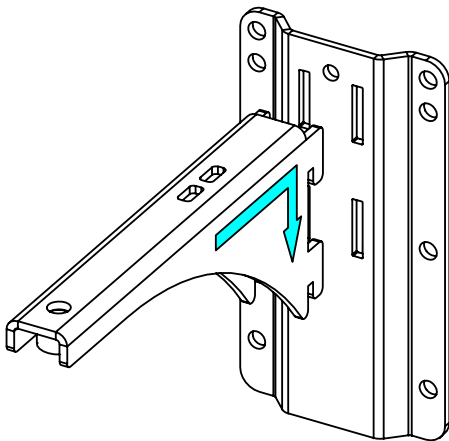
**Safety Notes:**

Please, select screws and mounting location supporting 4 times the system weight.  
Inspect bolted assemblies periodically.

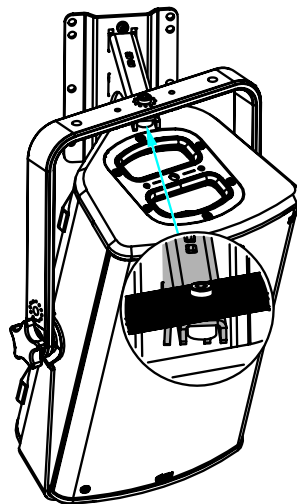
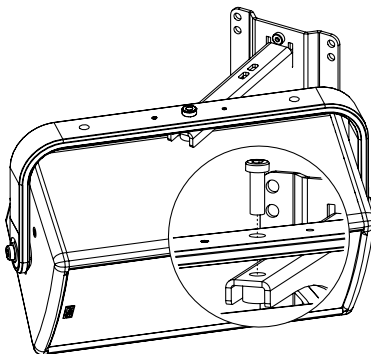
**Use:**

Mount the wall plate. Place the arm in the wall plate.

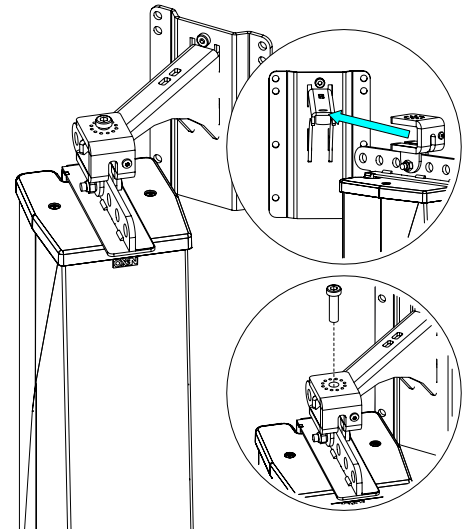
Lock with the provided screw.



With ePS6 and HBRK or P8 serie and HBRK / VBRK



With ID84 / BUMP / WMADAPT



- NEXO cannot accept responsibility for accidents caused by any factor other than defects in this product itself.
- Please check the web site [nexo-sa.com](http://nexo-sa.com) for the latest update.



nexo-sa.com  
ZA du Pre de la Dame Jeanne  
60128 PLAILLY - France

- Read this document before using.
- Keep this document.
- Observe all warnings and cautions.

