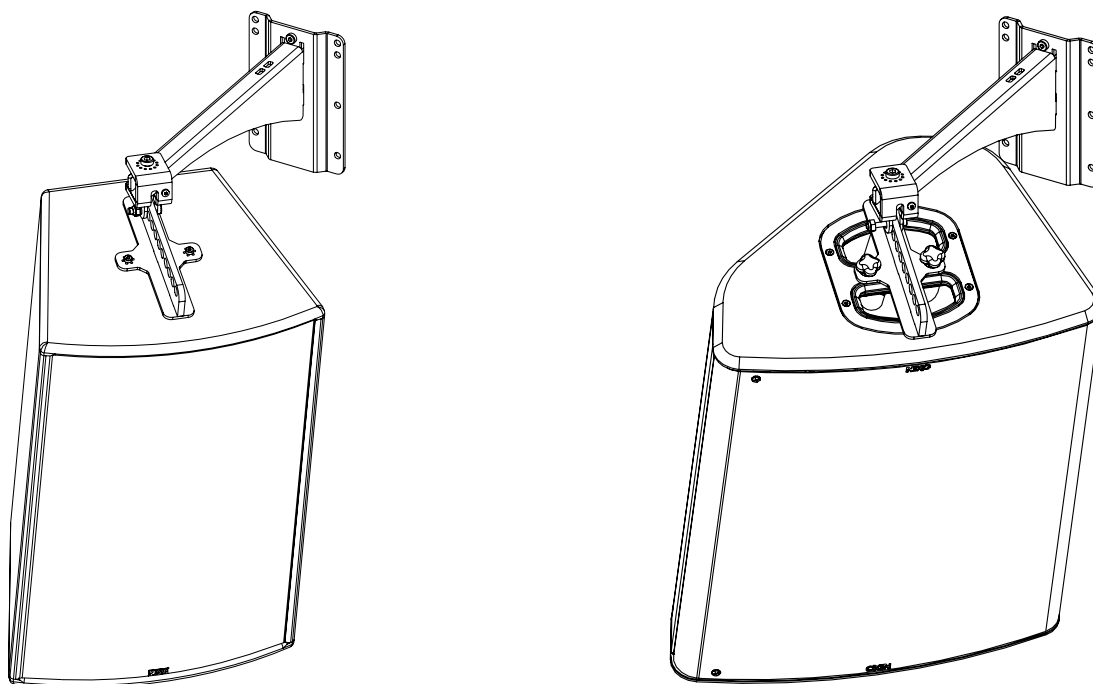
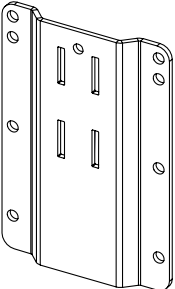
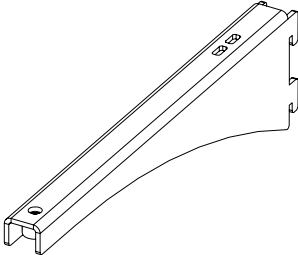
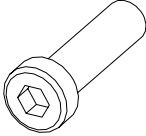
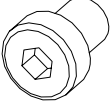


Fixing hanging bracket 380mm



Contents:

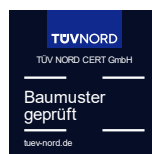
<p>X1</p> 	<p>X1</p> 	<p>X1 VXTCHC1035RN</p> 	<p>X1 VXTCHC810RN</p> 
--	--	--	--

Weight: 2.2 kg / 4.9 lb

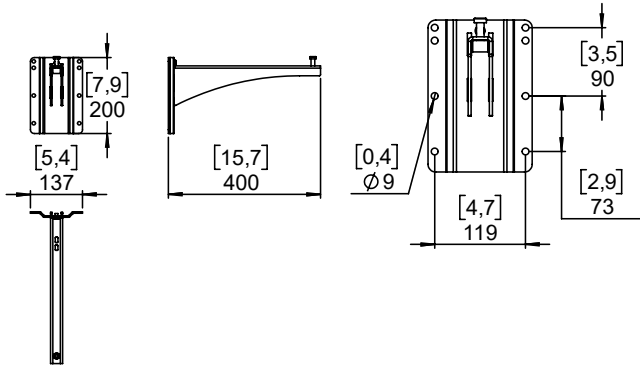


nexo-sa.com
ZA du Pre de la Dame Jeanne
60128 PLAILLY - France

- Read this document before using.
- Keep this document.
- Observe all warnings and cautions.



Dimensions:



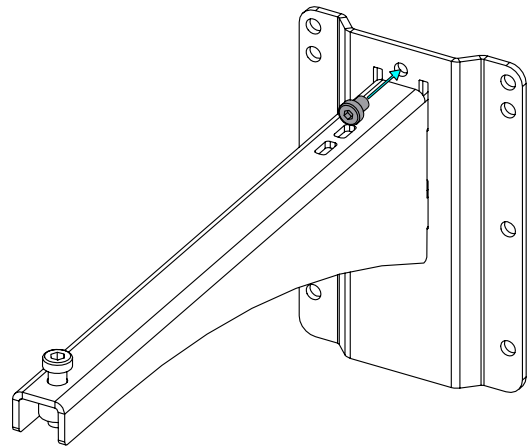
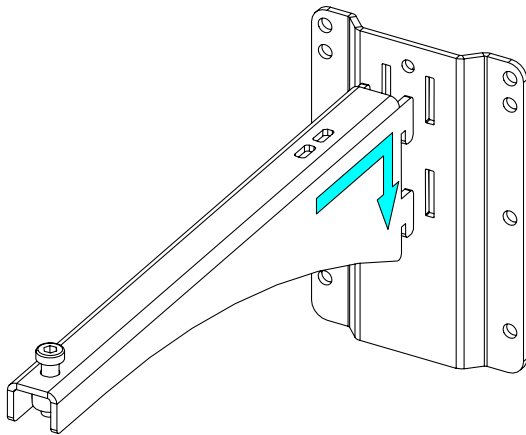
Safety Notes:

Please, select screws and mounting location supporting 4 times the system weight.
Inspect bolted assemblies periodically.

Use:

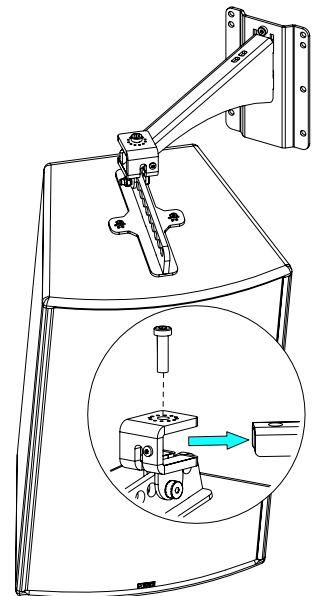
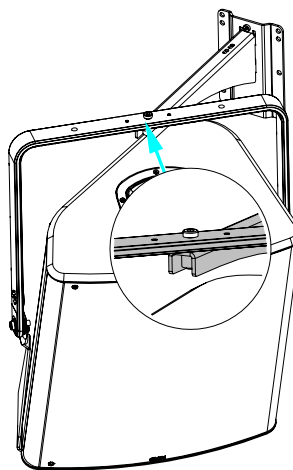
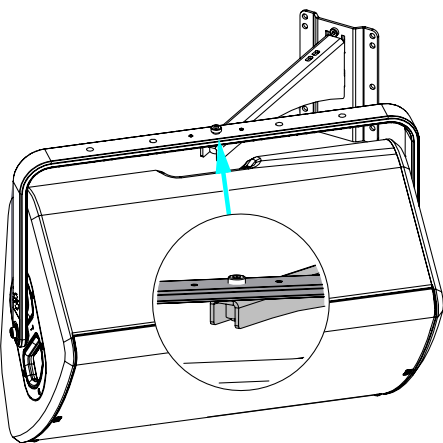
Mount the wall plate. Place the arm in the wall plate.

Lock with the provided screw.



With P15 / HBRK or VBRK

With P15 or ePS12 / BUMP / WMADAPT



- NEXO cannot accept responsibility for accidents caused by any factor other than defects in this product itself.
- Please check the web site nexo-sa.com for the latest update.

NEXO

nexo-sa.com
ZA du Pre de la Dame Jeanne
60128 PLAILLY - France

- Read this document before using.
- Keep this document.
- Observe all warnings and cautions.

