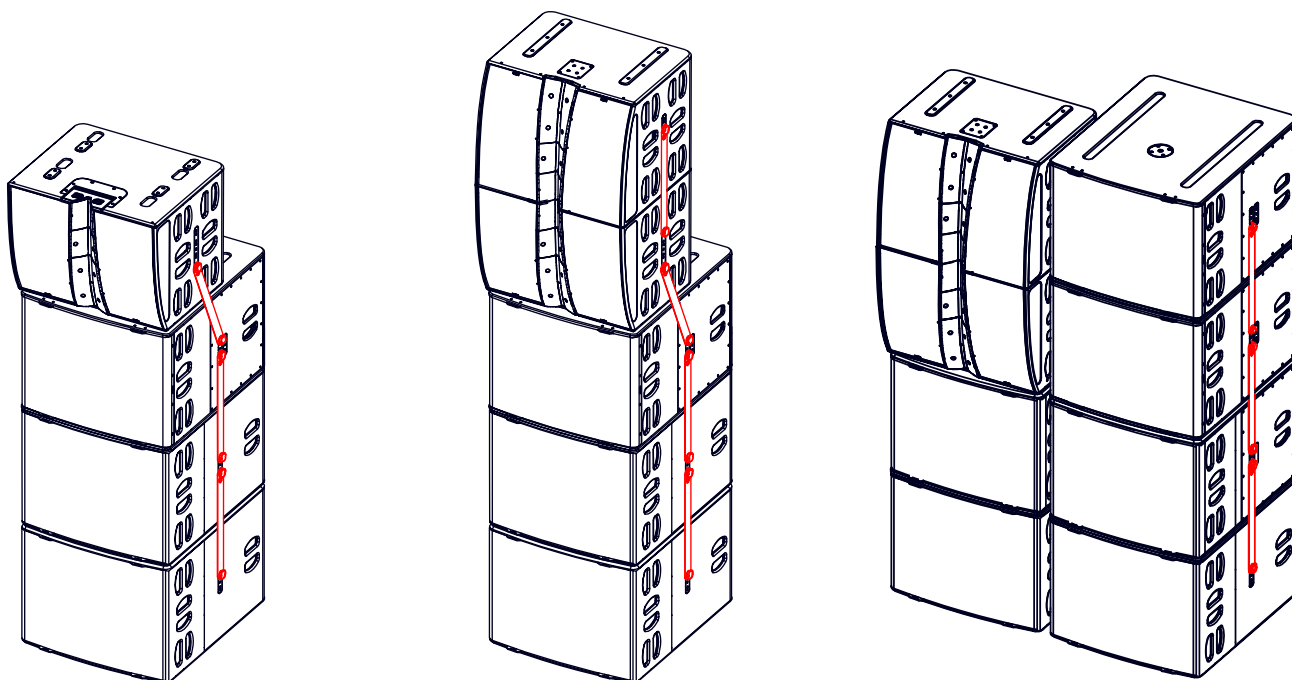
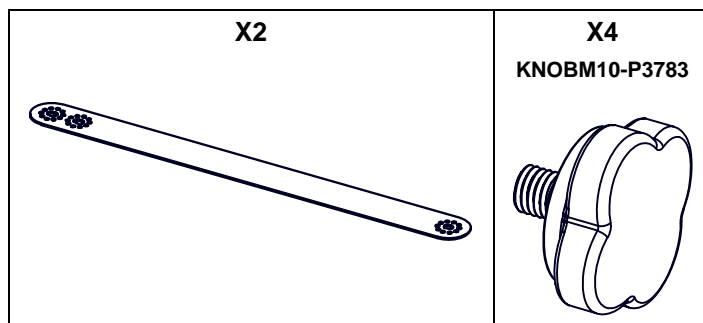


Coupling Bar for B218/L20 with M210



Contents:



Weight: 2 kg / 4.4 lb

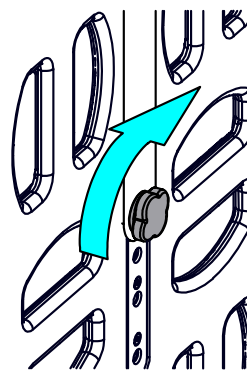
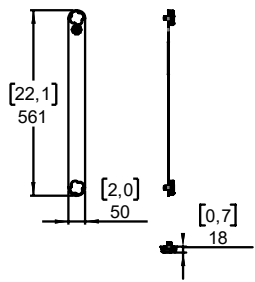


nexo-sa.com
ZA du Pre de la Dame Jeanne
60128 PLAILLY - France

- Read this document before using.
- Keep this document.
- Observe all warnings and cautions.

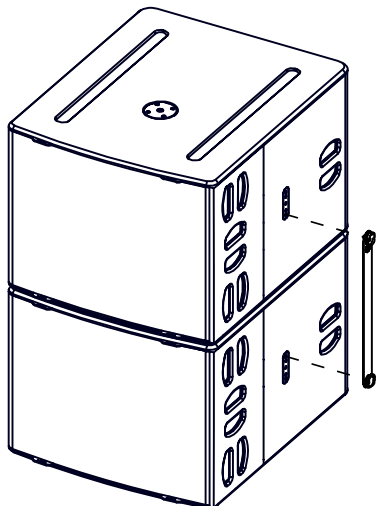


Size

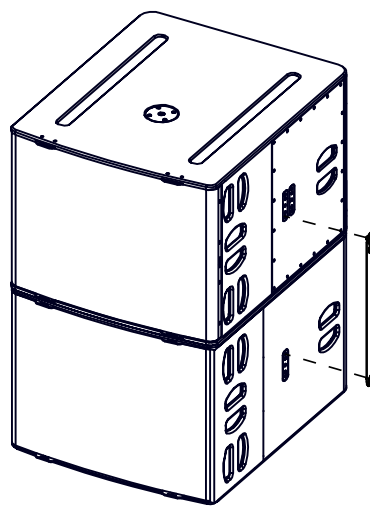


Use

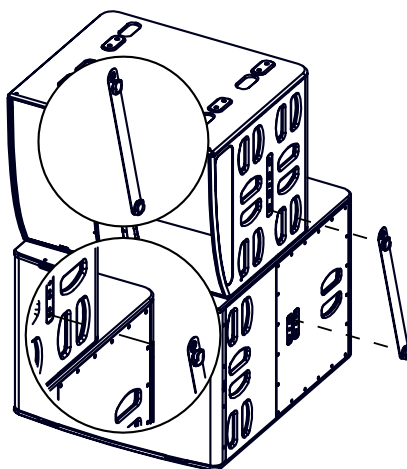
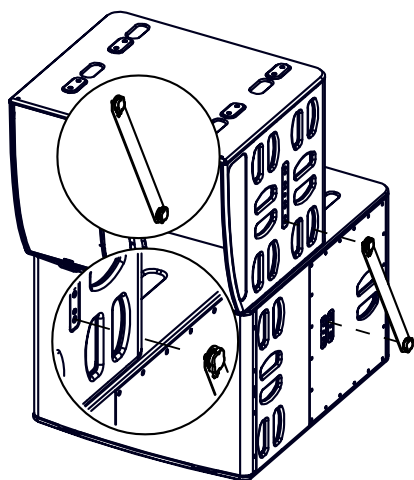
L20 to L20



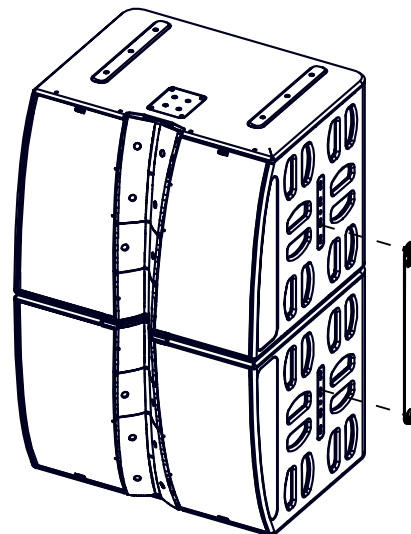
L20 to B218



M210 to B218 (2 positions for the M210)



M210 to M210



- NEXO cannot accept responsibility for accidents caused by any factor other than defects in this product itself.
- Please check the web site nexo-sa.com for the latest update.



nexo-sa.com
ZA du Pre de la Dame Jeanne
60128 PLAILLY - France

- Read this document before using.
- Keep this document.
- Observe all warnings and cautions.

