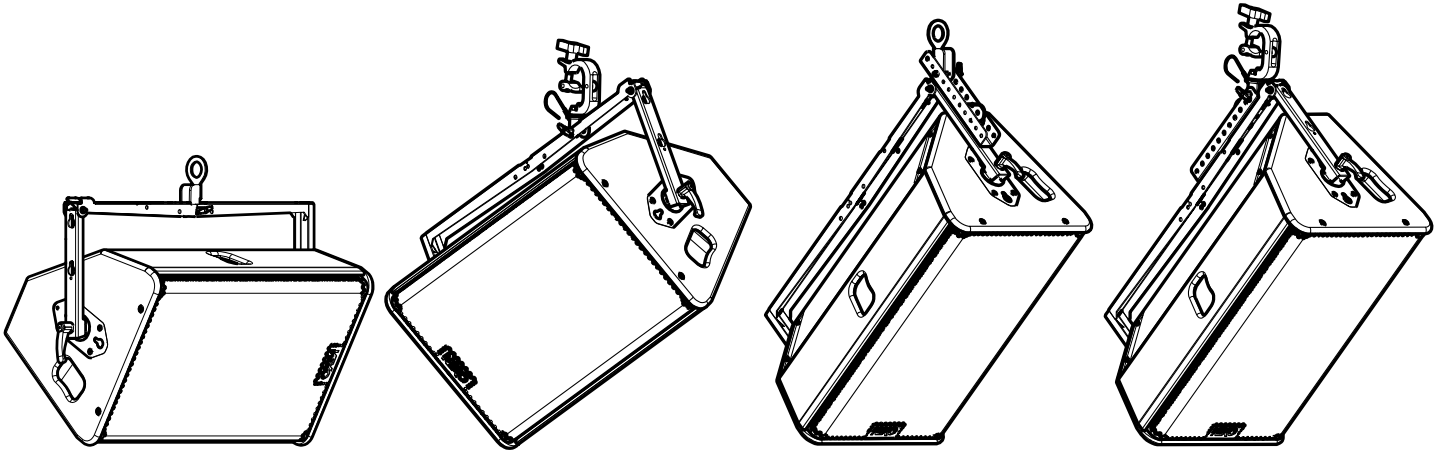
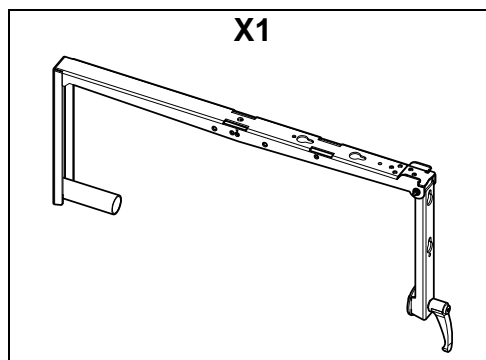


PS15/PS15R2 Touring Cradle

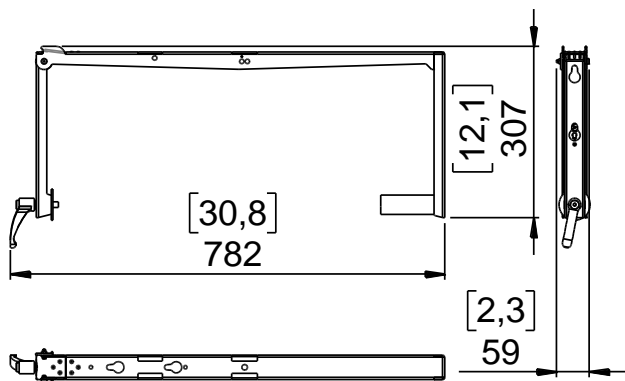


Contents :



Weight: 2.7 kg / 6 lb

Dimensions:



Use:

<p>ONLY for PS15: use VNT-ADPT</p> <ul style="list-style-type: none"> - Remove the 5 screws (M6x10 Torx 30); - Fasten the part with the 2 provided screws; <p>WARNING: Use only provided screws (thread lock coated or use Loctite 243).</p>	
--	--

<p>Release the lock and fold out the arm.</p>	<p>Insert PS10 and fold down the arm.</p>	<p>Tighten with the lever.</p>
--	--	---------------------------------------

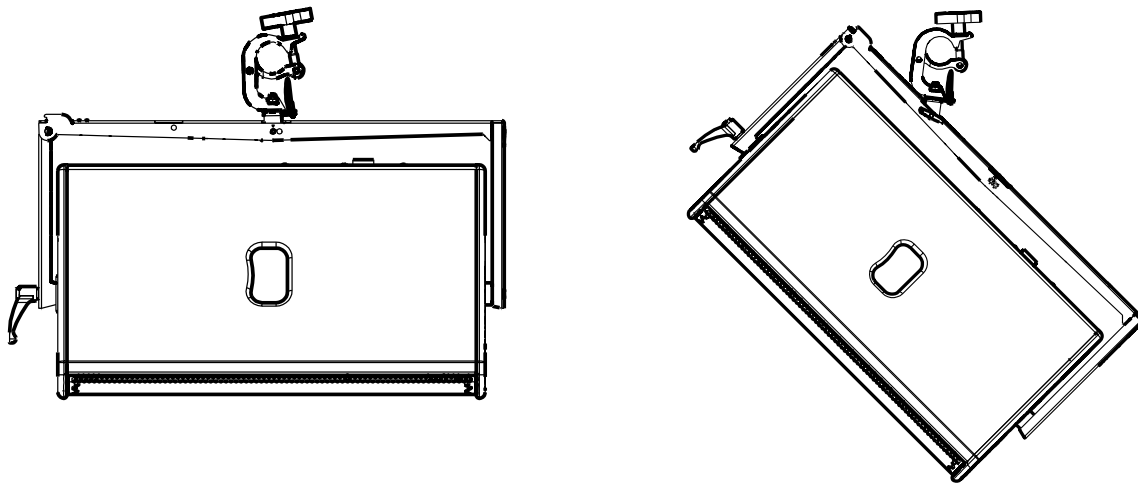
NEXO

nexo-sa.com
 ZA du Pre de la Dame Jeanne
 60128 PLAILLY - France

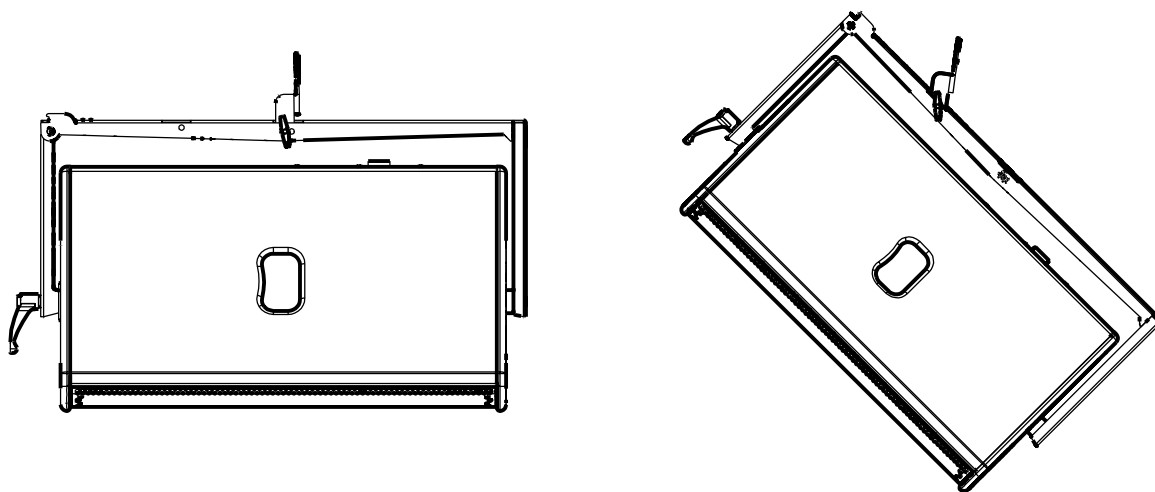
- Read this document before using.
- Keep this document.
- Observe all warnings and cautions.



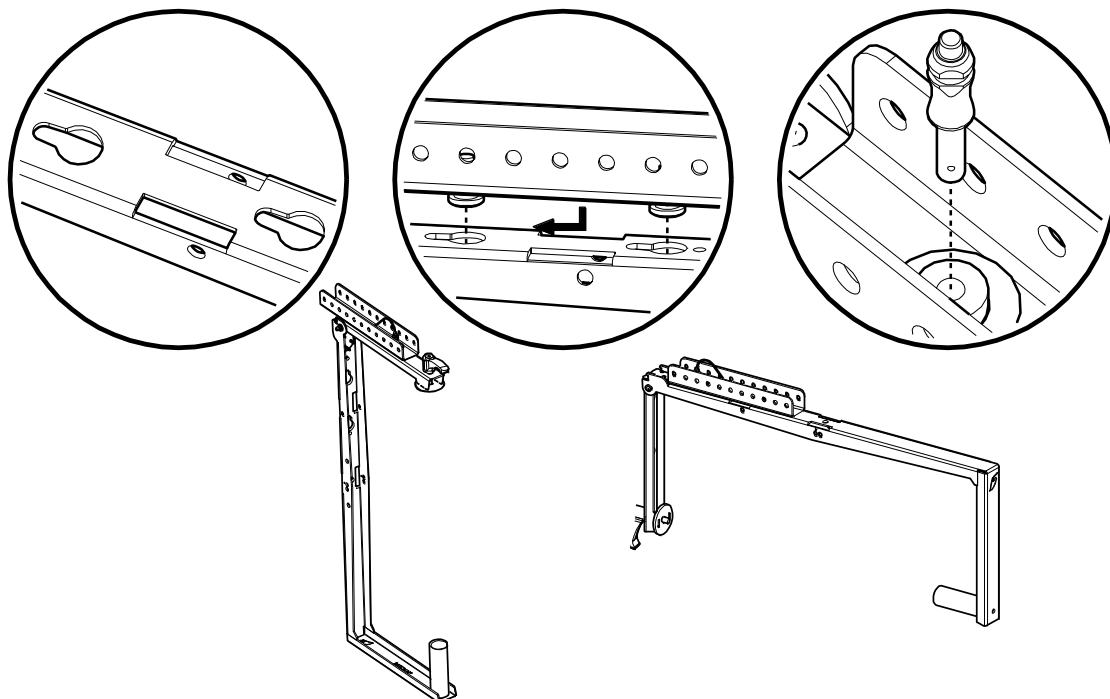
Use with VNT-TCBRK



Use with VNT-XHBRK



Assembly of VNT-TTC



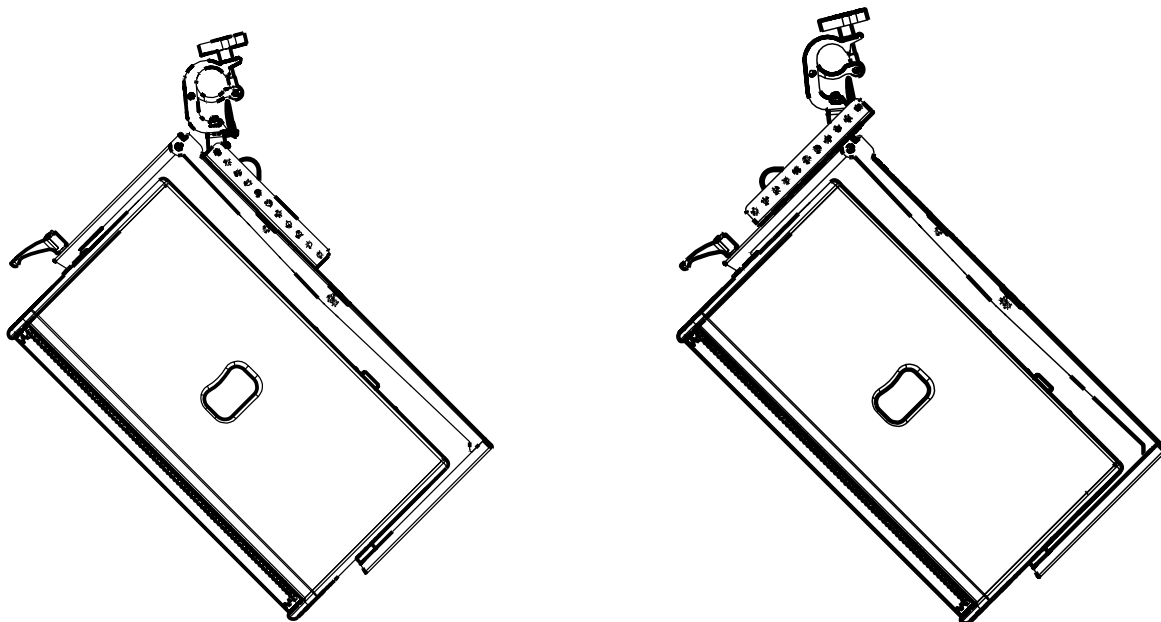
NEXO

nexo-sa.com
ZA du Pre de la Dame Jeanne
60128 PLAILLY - France

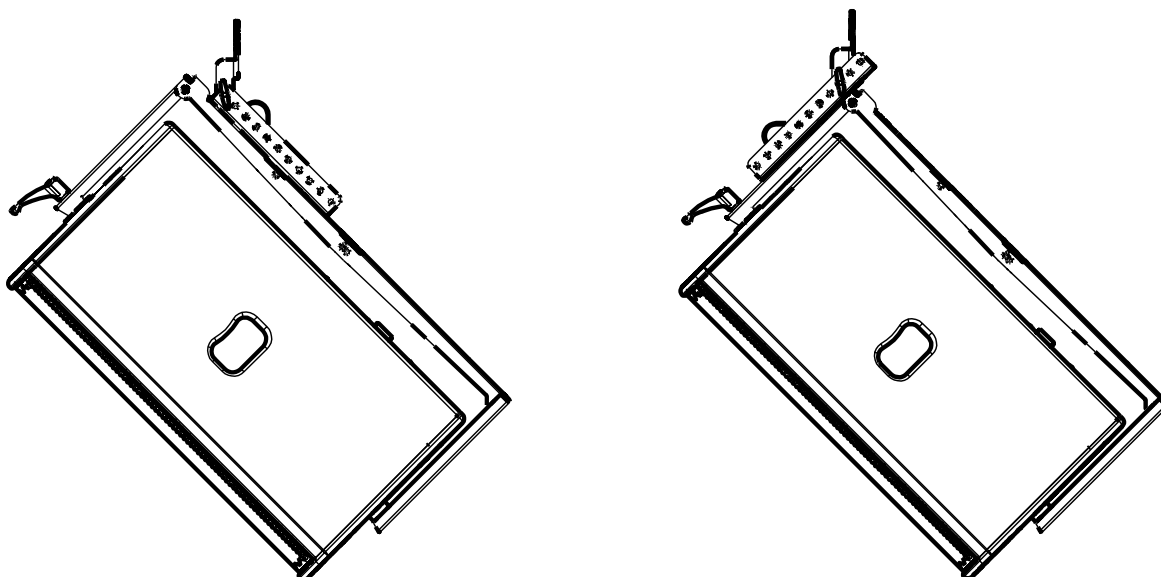
- Read this document before using.
- Keep this document.
- Observe all warnings and cautions.



Use with VNT-TTC / VNT-TCBRK



Use with VNT-TTC / VNT-XHBRK



Adjust the angle with the different holes on VNT-TTC

- NEXO cannot accept responsibility for accidents caused by any factor other than defects in this product itself.
- Please check the web site nexo-sa.com for the latest update.

NEXO

nexo-sa.com

ZA du Pre de la Dame Jeanne
60128 PLAILLY - France

- Read this document before using.
- Keep this document.
- Observe all warnings and cautions.

