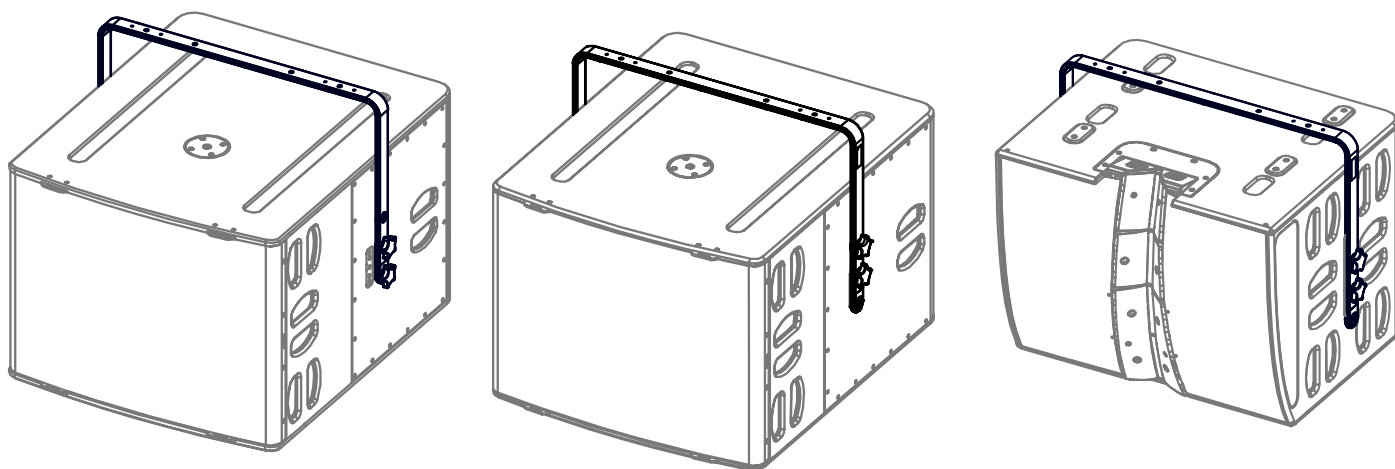
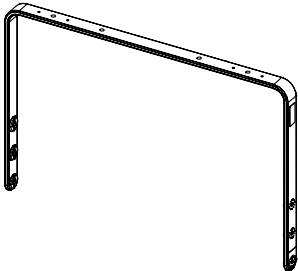
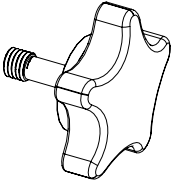
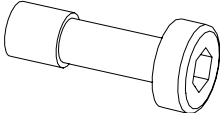



Horizontal Bracket for B218/L20/M210

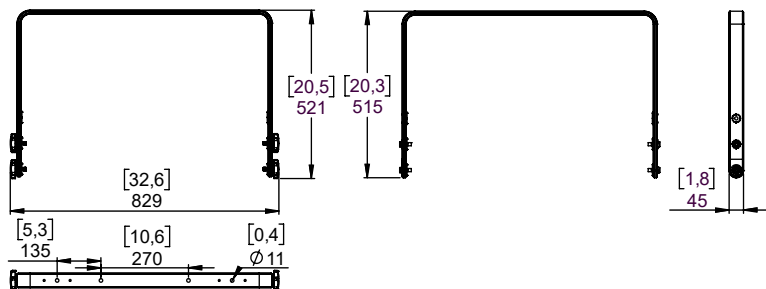


Contents:

<p>X1</p> 	<p>X4 KNOBM10-P3783</p> 	<p>X4 VXTCHC-P4449</p> 	<p>X4 VRA10N (M10)</p> 
---	---	---	--

Weight: 2.7 kg / 6 lb

Dimensions:

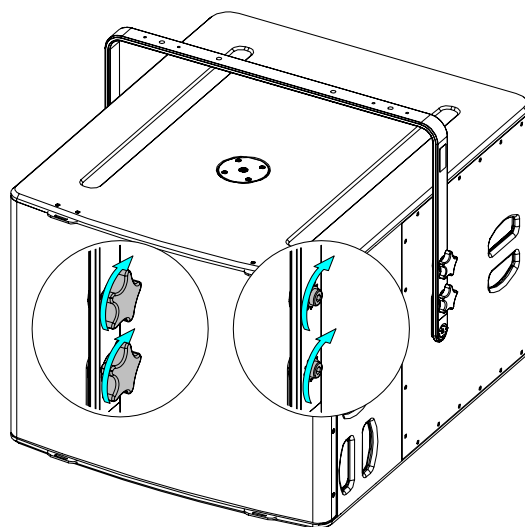
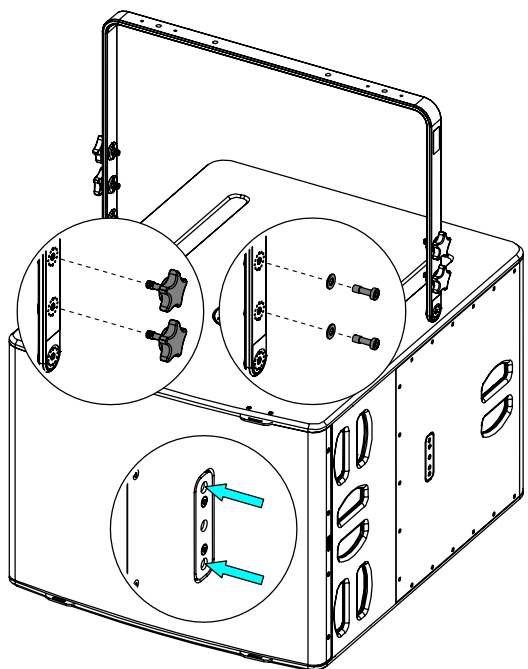


Safety

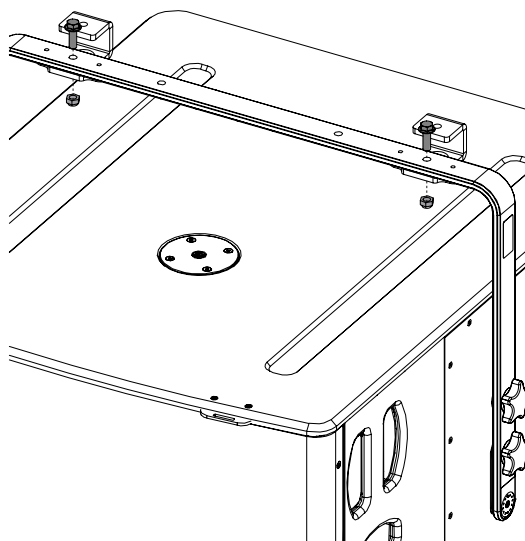
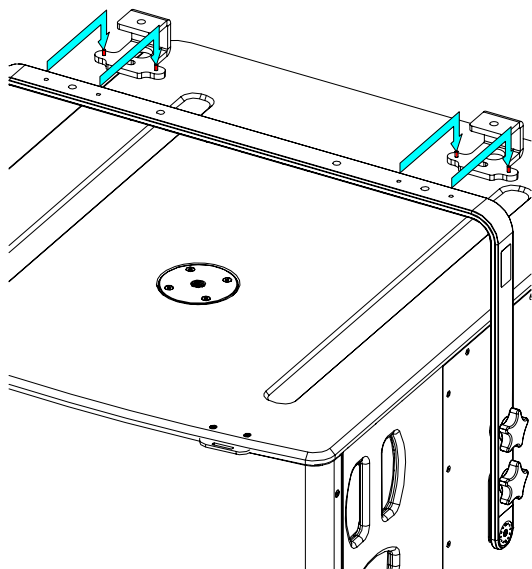
For permanent installation, use the provided thread lock coated screws.
Please, select screws and mounting location supporting 4 times the system weight

Assembly:

Place HBRK01 (low or high position of the bracket) on B218, L20 or M210, use only fasteners provided. Tight properly.



Place on CLADAPT, use the 2 guides. Tight with the fasteners provided with CLADAPT



- NEXO cannot accept responsibility for accidents caused by any factor other than defects in this product itself.
- Please check the web site nexo-sa.com for the latest update.



nexo-sa.com
ZA du Pre de la Dame Jeanne
60128 PLAILLY - France

- Read this document before using.
- Keep this document.
- Observe all warnings and cautions.

