

VNU-PLADAPT (PNT-PLADAPT)

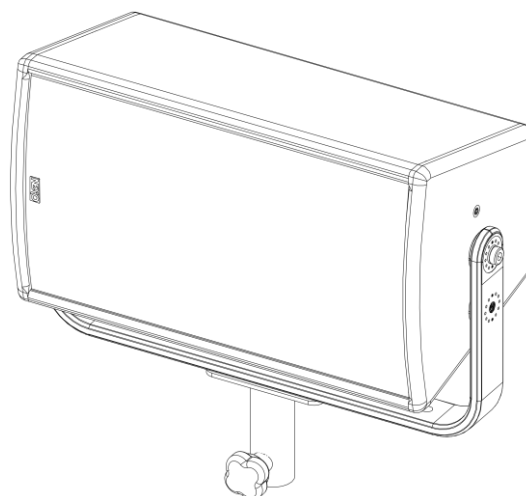
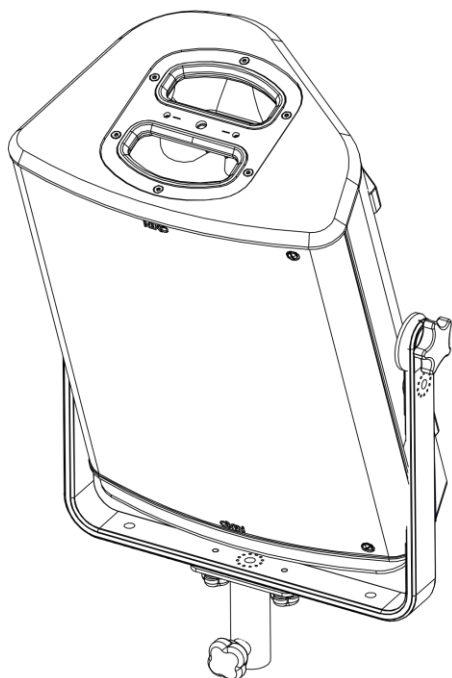
DP6365 – 01b - DI

NEXO

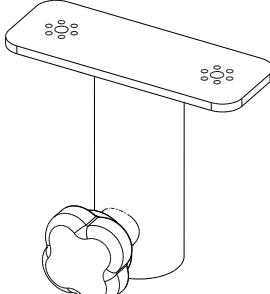
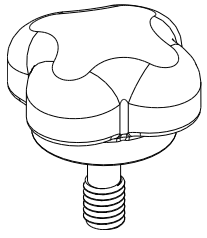
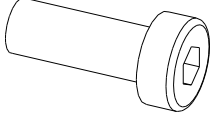
EPS

+series

Pole adapter



Contents:

<p>X1</p> 	<p>X2 KNOBM6-P3195</p> 	<p>X2 VTXCHC-P4452 M6x16</p> 
--	---	---

Weight: 0.5 kg / 1.1 lb

NEXO

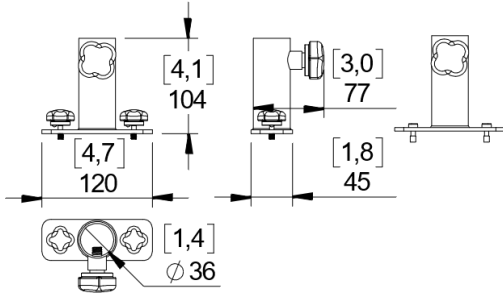
nexo-sa.com
ZA du Pre de la Dame Jeanne
60128 PLAILLY - France

- Read this document before using.
- Keep this document.
- Observe all warnings and cautions.

TUVNORD
TUV NORD CERT GmbH
Baumuster
geprüft
tuv-nord.de



Dimensions:



Safety Notes:

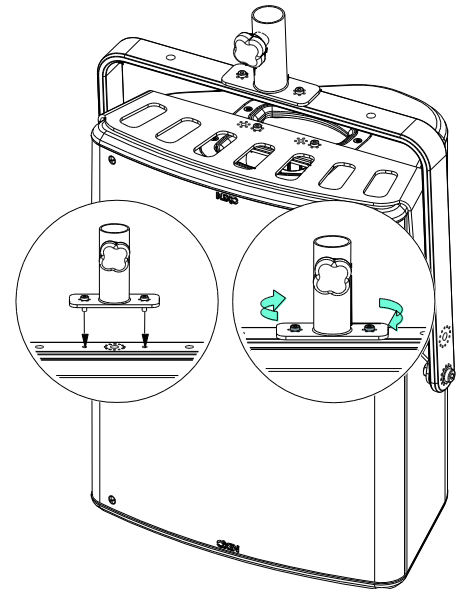
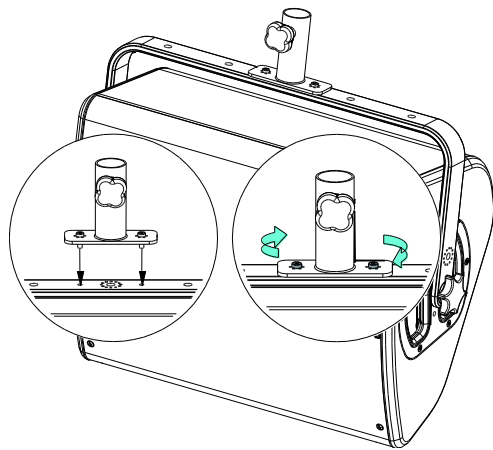
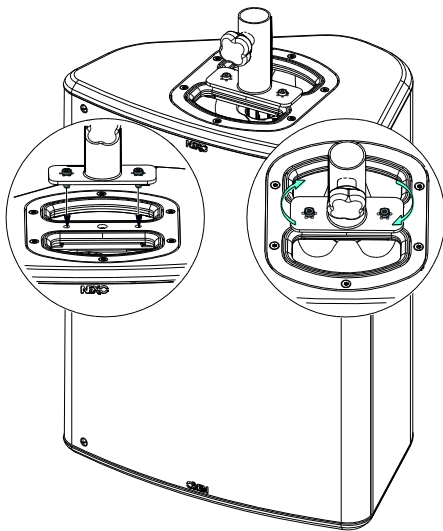
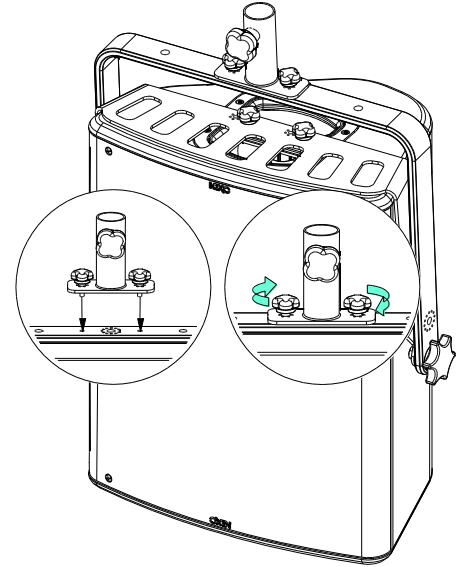
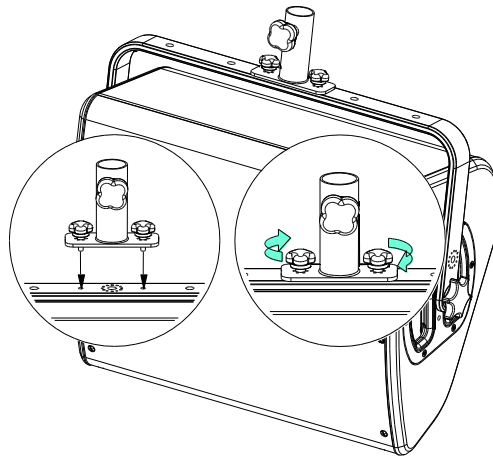
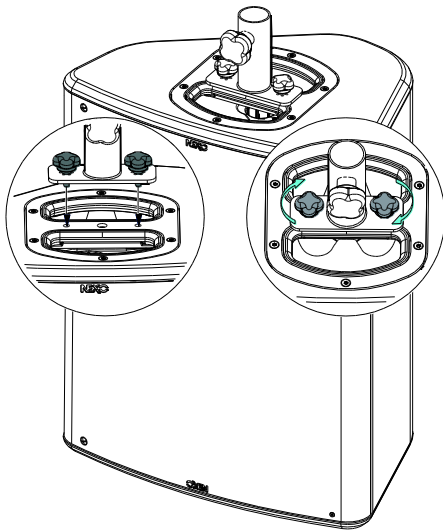
Please, select screws and mounting location supporting 4 times the system weight.
Inspect bolted assemblies periodically.

Use:

With Cabinet

With HBRK

With VBRK



- NEXO cannot accept responsibility for accidents caused by any factor other than defects in this product itself.
- Please check the web site nexo-sa.com for the latest update.

NEXO

nexo-sa.com
ZA du Pre de la Dame Jeanne
60128 PLAILLY - France

- Read this document before using.
- Keep this document.
- Observe all warnings and cautions.

