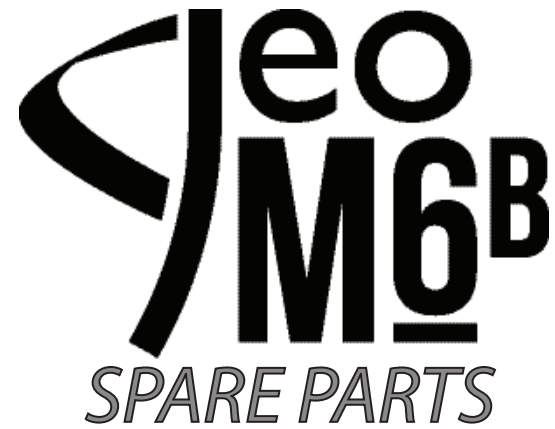
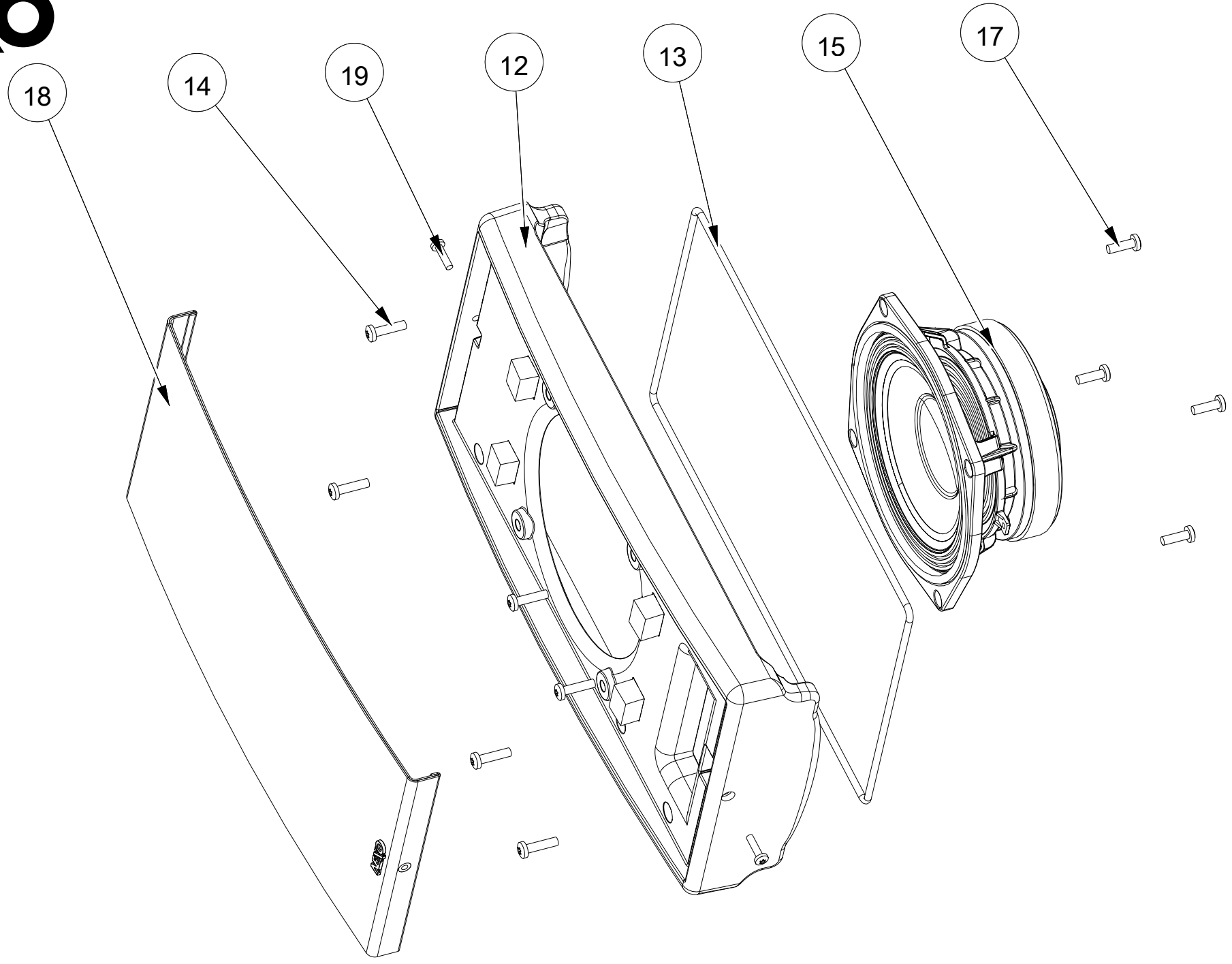


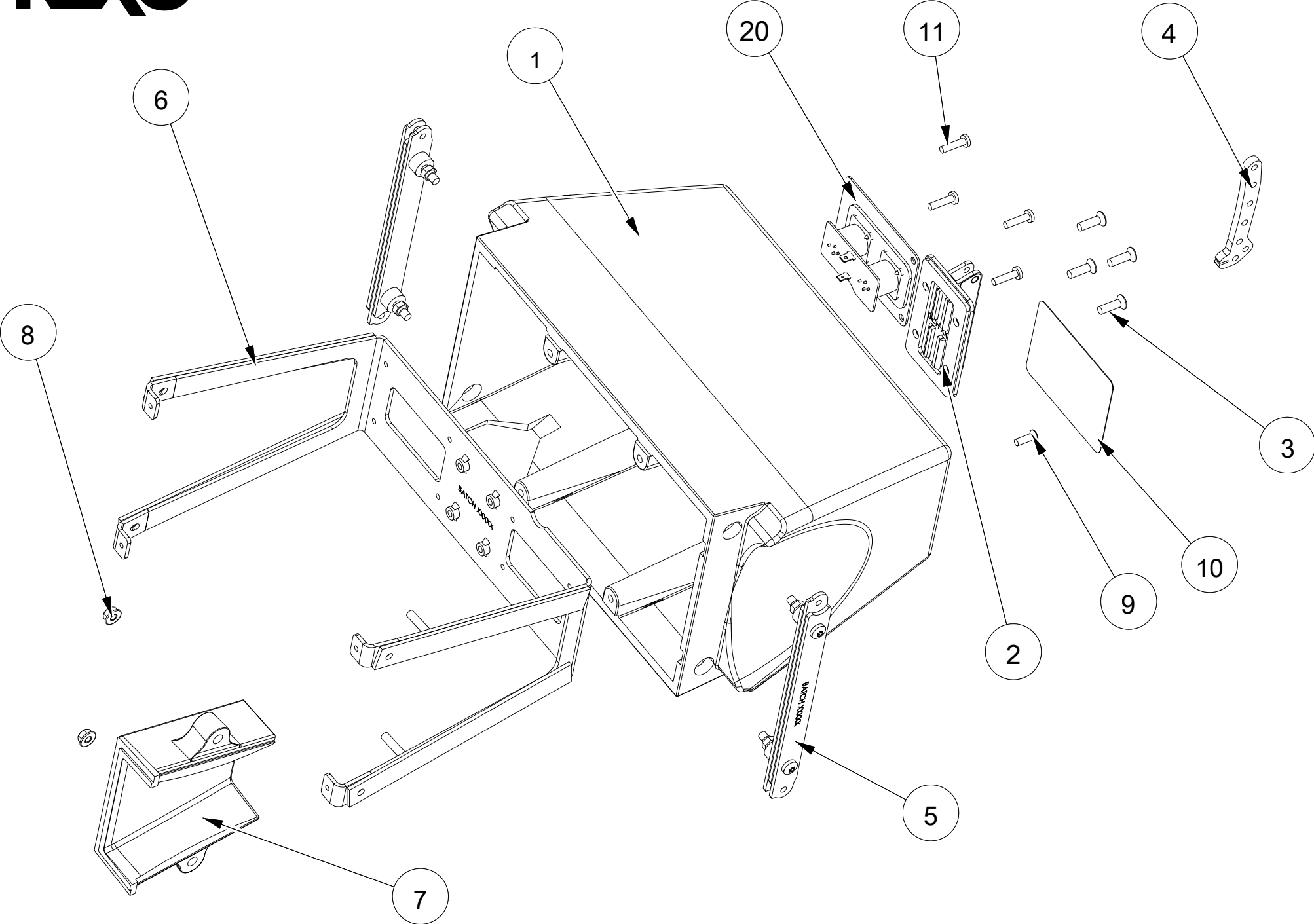
**NEXO**

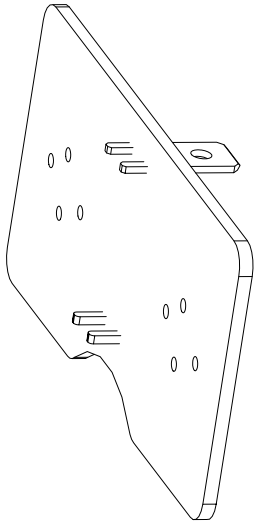
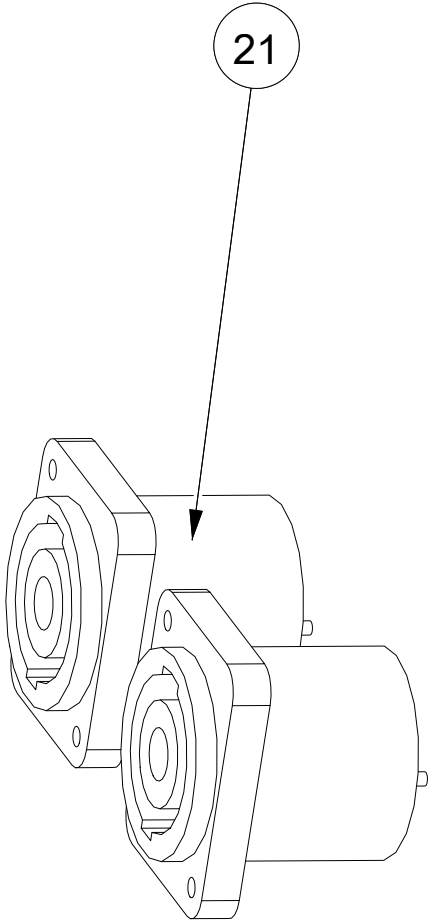
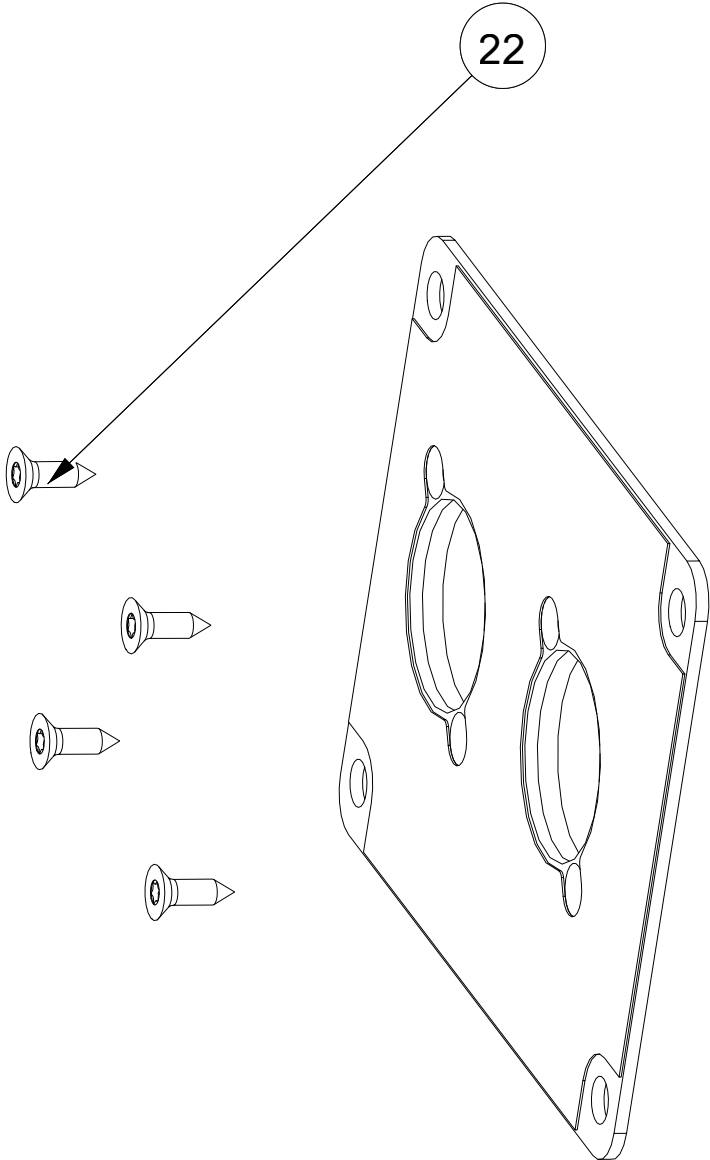


# NEXO



# NEXO





MARK	QUANTITY	ASSEMBLY	SUB ASSEMBLY	PART REFERENCE	DESIGNATION
<b>GEOM6B</b>					
<b>1</b>	1	<b>05GEOM6-AR</b>		05GEOM6-AR	<b>REAR BOX</b>
<b>2</b>	1			05GEOM6SAR	REAR RIGGING (with seal)
<b>3</b>	4			05VXTCFX620N	BLACK TORX FLAT HEAD SCREW 6X20 (x 10)
<b>4</b>	1			05GEOM6LKB	LINK BAR
<b>5</b>	2			05GEOM6-RG	SIDE RIGGING
<b>6</b>	1			05GEOM6F	SKELETON RIGGING
<b>7</b>	2			05GEOM6-VE	VENT
<b>8</b>	2			05VEM6	HEXAGON FLANGE NUT M6 (x10)
<b>9</b>	1			05VXTCFX516N	BLACK TORX FLAT HEAD SCREW 5X16 (x 10)
<b>10</b>	1			05LEXWARM6	STICKER WARNING
<b>11</b>	4			05VXTCBX520N	BLACK TORX BUTTON HEAD SCREW 5x20 (x 10)
<b>12</b>	1	<b>05GEOM6B-AV</b>		05GEOM6B-AV	<b>FRONT CABINET WITH SCREWS</b>
<b>13</b>	1			05JNEOPCRM6	FRONT CABINET GASKET
<b>14</b>	6			05VXTCBX520N	BLACK TORX BUTTON HEAD SCREW 5x20 (x 10)
<b>15</b>	1		<b>05HPB6-F</b>	05HPB6-F	<b>6.5" Driver 8 Ohms</b>
<b>16</b>	1			05HPB6-FR/K	HPB6-F RECONE KIT
<b>17</b>	4			05VXTCBX516N	BLACK TORX BUTTON HEAD SCREW 5x16 (x 10)
<b>18</b>	1	<b>05GEO -6UA</b>		05GEO -6UA	<b>COMPLETE GRILL GEOM6 WITH SCREWS</b>
<b>19</b>	2			05VXCHB416N	BLACK TORX BUTTON HEAD SCREW 4x16 (x 10)
<b>20</b>	1		<b>05GEOM6B-FPC</b>	05GEOM6B-FPC	<b>GEOM6B CONNECTION PLATE</b>
<b>21</b>	2			05CNXNL4MDV-1	SPEAKON NL4 M D V 1
<b>22</b>	4			05VXTFST2.9-9.5N	BLACK TORX FLAT HEAD SCREW VXTFST 2.9x9.5 (x10)