

NEXO

I N N O V A T E

Geo
S1210
SPARE PARTS

NEXO-SA
AFTER SALE DEPARTMENT
PARC DU PRE DE LA DAME JEANNE
60128 PLAILLY

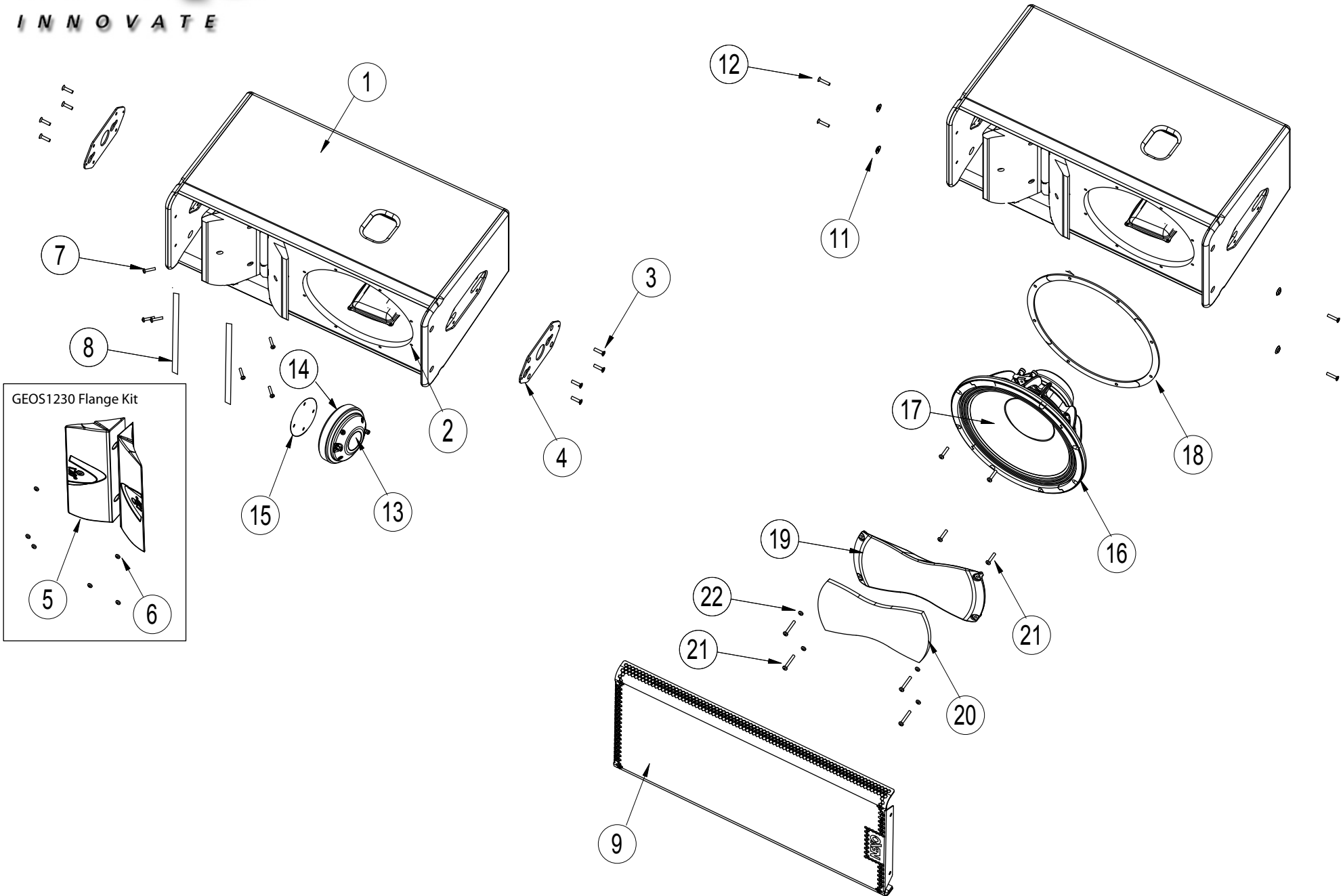
FRANCE

Email : gilbert.laporte@nexo.fr

NEXO

INNOVATE

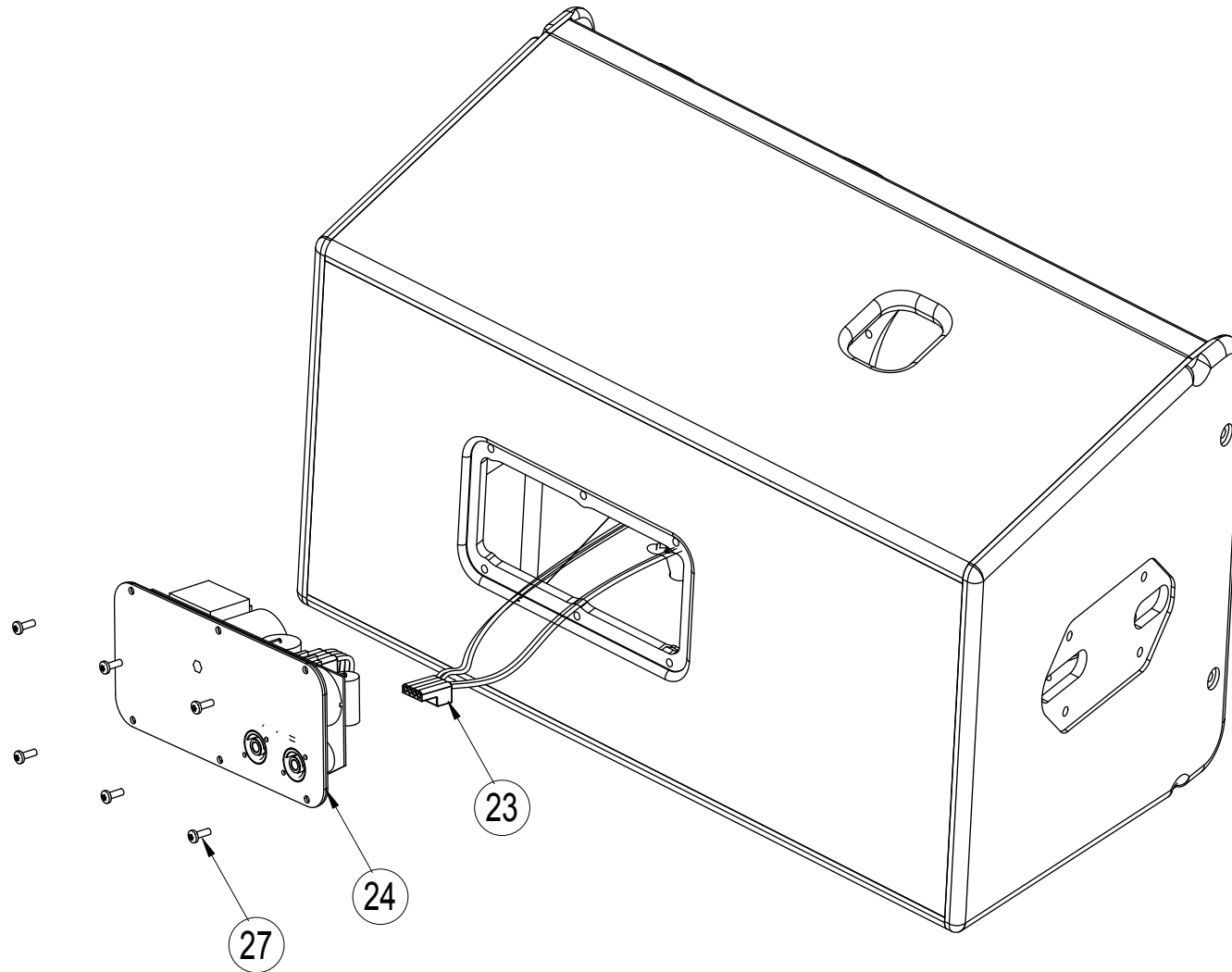
GEOS1210 FRONT VIEW

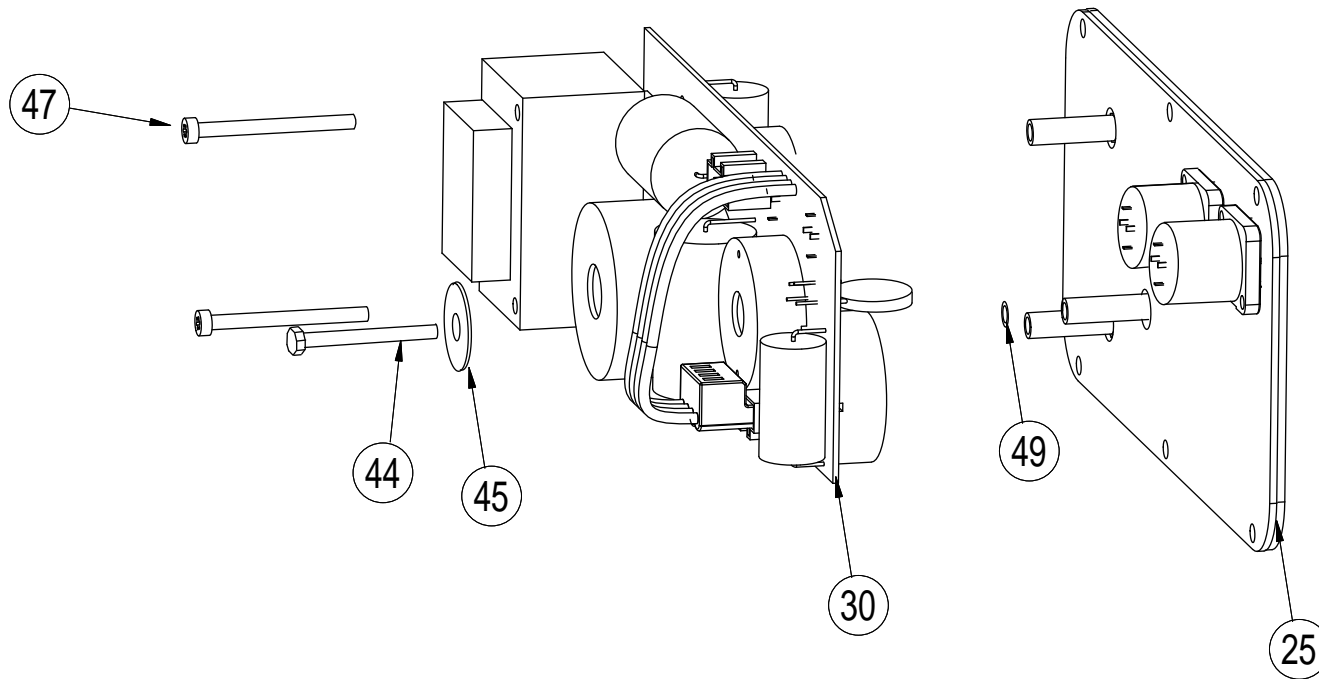


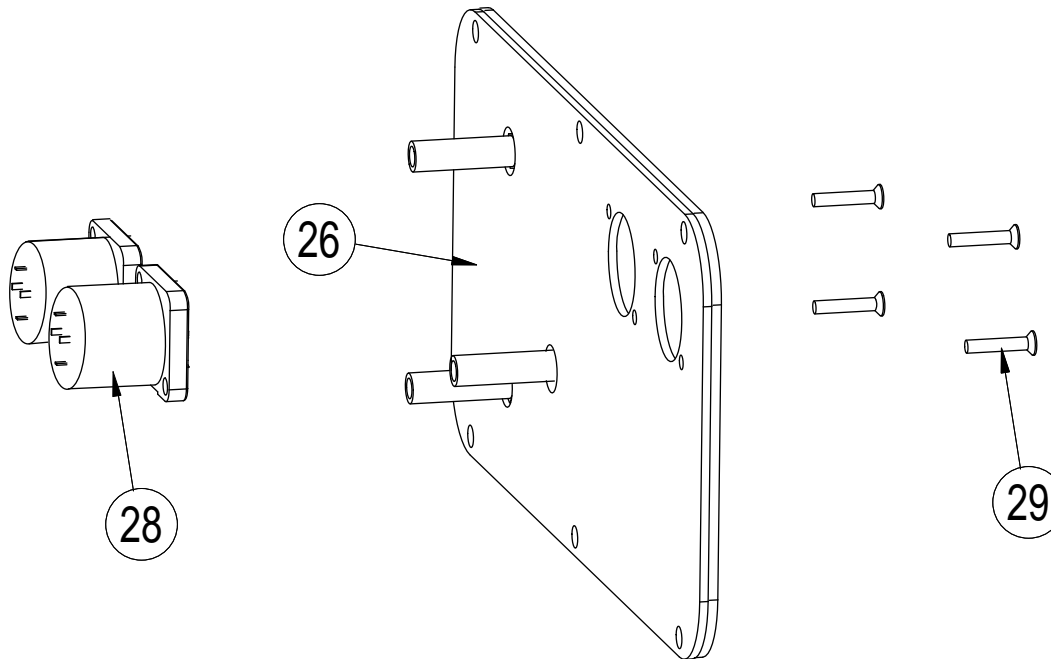
NEXO

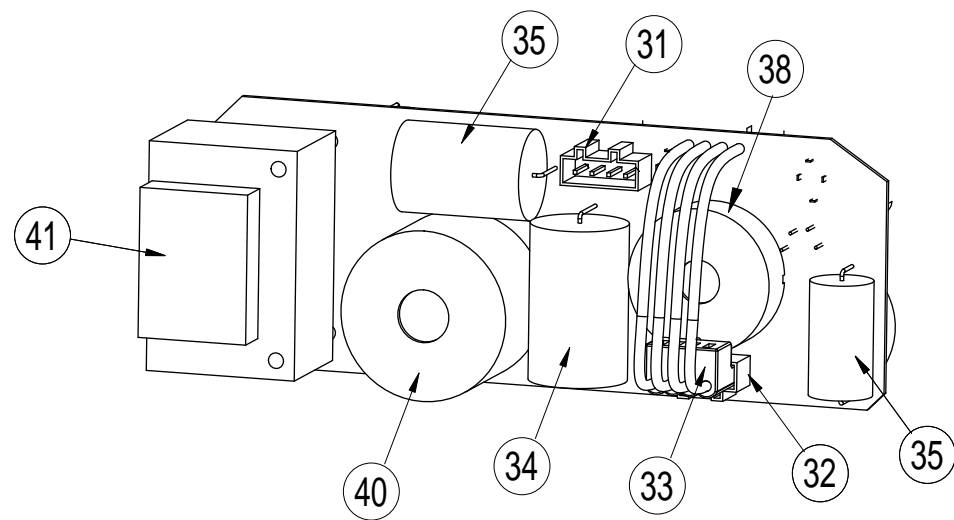
INNOVATE

GEOS1210 REAR VIEW

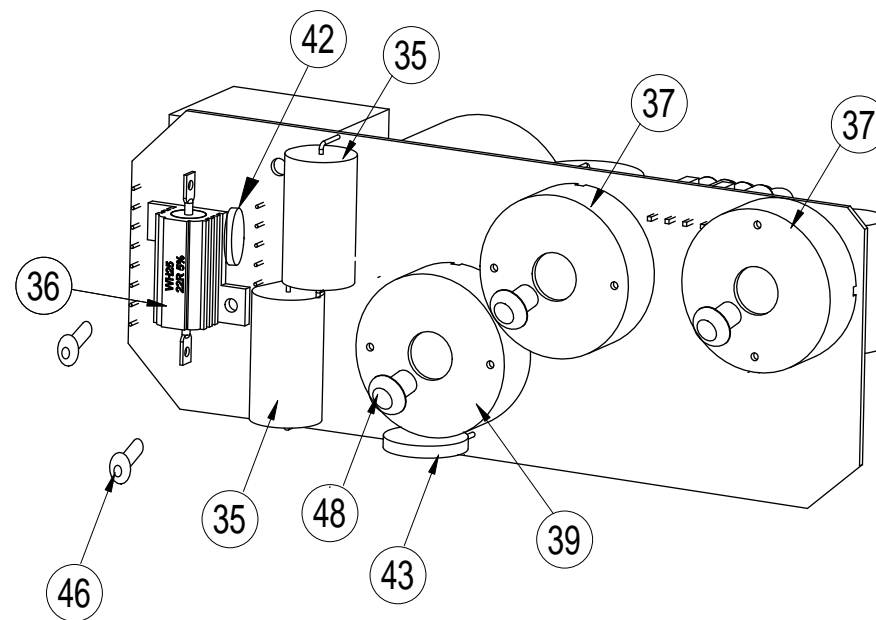




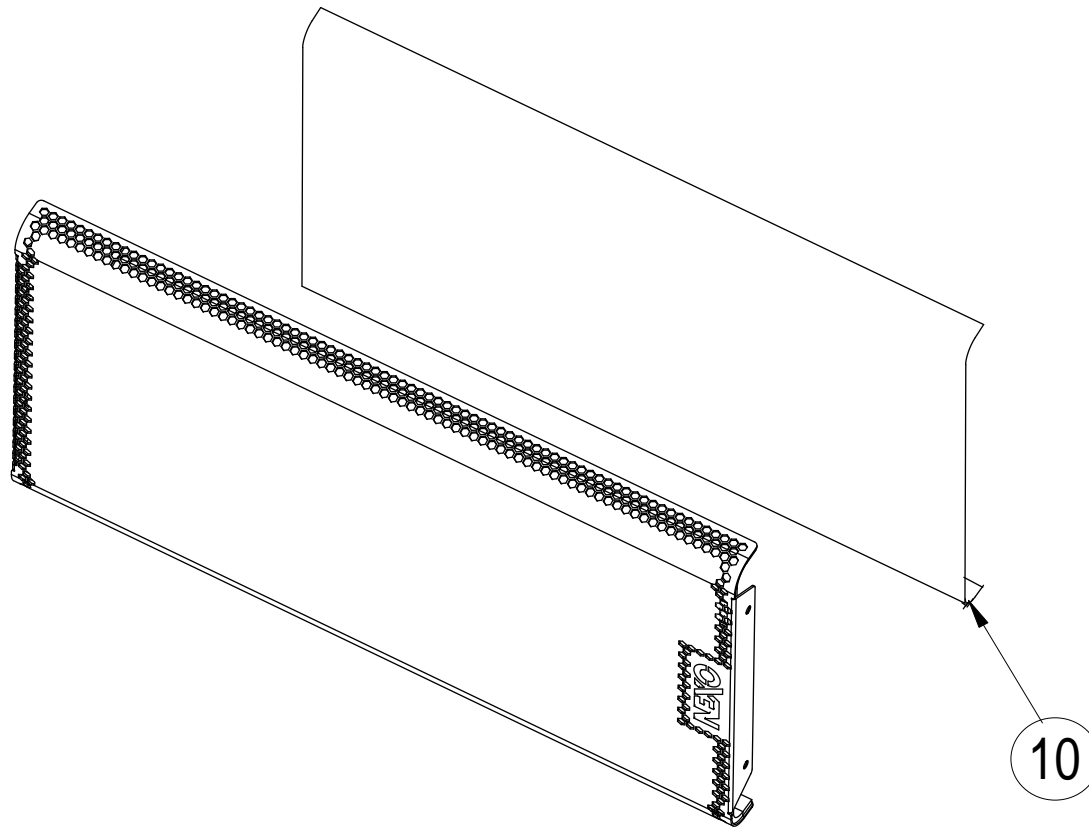




Front filter



Rear filter



| MARK | QUANTITY | ASSEMBLY | SUB ASSEMBLY | PART REFERENCE | DESIGNATION |
|-----------------|----------|---------------------|---------------------|------------------|---------------------------------------|
| GEOS1210 | | | | | |
| 1 | 1 | 05EBGEOS1210 | | 05EBGEOS1210 | GEOS1230 EMPTY BOX |
| 2 | 20 | | | 05VUNIM5 | UNIMERCO T-NUT M5 |
| 3 | 8 | | | 05VXTCFX620N | BLACK TORX FLAT HEAD SCREW 6X20 |
| 4 | 2 | | | 05AMACCP8EXT-V2 | GEOS12 EXTERNAL PLATE FOR RIGGING |
| 5 | 2 | | | 05PFLANGE-GS1230 | GEOS1230 FLANGE 120° |
| 6 | 6 | | | 05VRND5.3 | NYLON WASHER 5.3 x 10 |
| 7 | 6 | | | 05VXTCBX525N | BLACK TORX BUTTON HEAD SCREW 5X25 |
| 8 | 1 | | | 05JNEOP14X2 | NEOPREN GASKET 14 X 2 (10m) |
| 9 | 1 | | 05GEOS12-UA | 05GEOS12-UA | GEOS12 COMPLETE GRILL |
| 10 | 1 | | | 05MBULPEGEOS12 | GEOS12 FOAM GRILL |
| 11 | 4 | | | 05VRX5FN | FLAT WASHER 90° |
| 12 | 4 | | | 05VXTCFX525N | BLACK TORX FLAT HEAD SCREW 5X25 |
| 13 | 1 | | 05HPADE60-16 | 05HPADE60-16 | DE60 DRIVER hf 16 Ohm |
| 14 | 1 | | | 05NH91-16R/K | DE910-16 / DE60-16 DIAPHRAGM |
| 15 | 1 | | | 05MPPIHM | FOAM GASKET |
| 16 | 1 | | 05HPB12ND16 | 05HPB12ND16 | BASS DRIVER 12" NEODYNIUM (16 Ohms) |
| 17 | 1 | | | 05HPB12ND16R/K | HPB12ND16 RECONE KIT |
| 18 | 1 | | | 05JNEOHPBLS40 | 12" BASS DRIVER GASKET |
| 19 | 1 | | | 05PMP-GEOD10 | GEOD10 & GEOS12 PMP |
| 20 | 1 | | | 05JNEOPMPGS12 | GEOS12 PMP GASKET |
| 21 | 8 | | | 05VXTCBX535N | BLACK TORX BUTTON HEAD SCREW 5X35 |
| 22 | 4 | | | 05VRND5.3 | NYLON WASHER 5.3 x 10 |
| 23 | 1 | | 05GEOS12-F | 05GEOS12-F | GEOS12 INTERNAL WIRING |
| 24 | 1 | 05GEOS12-FPC | | 05GEOS12-FPC | GEOS12 COMPLETE PASSIVE FILTER |
| 25 | 1 | | 05GEOS12-FPA | 05GEOS12-FPA | GEOS12 CONNECTION PLATE |
| 26 | 1 | | | 05JNEOCNXGEOS12 | GEOS12 GASKET CONNECTION PLATE |
| 27 | 6 | | | 05VXTCBX525N | BLACK TORX BUTTON HEAD SCREW 5X25 |
| 28 | 2 | | | 05CNXNL4MDV | SPEAKON NL4MDV |
| 29 | 4 | | | 05VRI3.216N | BLACK ALUMINIUM RIVET 3.12X16 |

| | | | | | |
|-----------|---|--|---------------------|-------------------------|---------------------------------|
| 30 | 1 | | 05GEOS12-FPB | 05GEOS12-FPB | GEOS12 PASSIVE FILTER |
| 31 | 1 | | | 05CNX721-164/001 | MALE CONNECTOR 721-164/0001-000 |
| 32 | 1 | | | 05CNX722-134 | FEMALE CONNECTOR CNX722-134 |
| 33 | 1 | | | 05CNX721-604 | MALE CONNECTOR CNX721-604 |
| 34 | 1 | | | 05FCNP15 | CAPACITOR 15F MKP PB 400Vdc 5% |
| 35 | 4 | | | 05FCNP4.7 | CAPACITOR 4.7 #F MKP PB 400V 5% |
| 36 | 1 | | | 05FR25W33 | RESISTOR WH25 33R |
| 37 | 2 | | | 05FS1.5MH0.9R | COIL 1.5MH 0.9R 3% |
| 38 | 1 | | | 05FS100H3.0 | COIL 3.0MH 100G R20 |
| 39 | 1 | | | 05FS2.1MH2.3R | COIL 2.1MH 2.3R 3% |
| 40 | 1 | | | 05FS300H0.9 | COIL 0.9 mH 300 gr. |
| 41 | 1 | | | 05FSI5MH0.3R | COIL 15MH 0.3R |
| 42 | 1 | | | 05PLSW185RXEF | POLYSWITCH RXE 185 WITHOUT LEAD |
| 43 | 1 | | | 05PLSW250RXEF | POLYSWITCH RXE 250 WITHOUT LEAD |
| 44 | 1 | | | 05VLTH550 | BRASS SCREW 5X50 |
| 45 | 1 | | | 05VRA630Z | WHASHER 6X30 |
| 46 | 2 | | | 05VRI3.216N | BLACK ALUMINIUM RIVET 3.12X16 |
| 47 | 2 | | | 05VXTCHC445 | CHC SCREW 4X45 |
| 48 | 4 | | | 05VRIVNYL5X8 | NYLON RIVET |
| 49 | 1 | | | 05VRND5.3 | RONDELLE NYLON 5.3 x 10 |